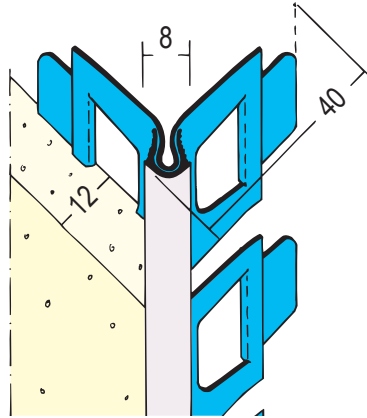


Product data sheet

Status: 02.12.2020 | 10:06

Item no. 1041



Designation	Corner bead for interior plaster and exterior render 12 mm, rounded edge
Description	PROTEKTOR-Corner profile made of galvanised steel with PVC coating for interior and exterior plaster of 12 mm and thicker. The PVC coating protects against wear and corrosion. Corner profile with notched wall flanges and PVC bead. For creating rounded arches and clean corners on spiral staircases. Smallest possible radius: 50 cm.
Line of Business	Plaster
Productclass	Exterior render / Interior plaster
Productgroup	Corner beads
Plaster thickness	12,0 mm
Material	Galvanised steel, with PVC coating
Galvanizing	Z 275
Standard EN	EN 13658-2
Product length	250,0 cm
	40 mm
Rounding off radius	4 mm
Productcolor	■ weiß (10)
Reaction to fire (R2F)	E
Application Areas	Specially developed for schools and kindergartens. Satisfies the german guidelines and requirements of the statutory accident prevention regulations. See technical information.
Packaging Unit	15 BAR / 35 CAR
	Please observe the following data sheets: *Data sheet Planning and Application of Metallic Plaster Profiles; published by: The European Association of Bead and Lath Producers, www.europrofiles.com *Data sheet Plaster and Dry Construction in Damp Environments; published by: Zentralverband des Deutschen Baugewerbes, www.zdb.de *Data sheet Winter Construction Sites; published by: Bundesverband der Gipsindustrie e.V., www.gips.de .

PROTEKTORWERK
Florenz Maisch GmbH & Co. KG
Postfach 1420, D-76554 Gaggenau
Viktoriastr. 58, D-76571 Gaggenau

Tel. +49 7225 977-0
Fax +49 7225 9 77-111
info@protektor.com
www.protektor.com



Product data sheet

Status: 02.12.2020 | 10:06

Item no. 1041

This product data sheet corresponds to the current state of development of our products and loses its validity upon publication of a new edition. Make sure you are using the latest edition of this information. Warranty and liability are based on delivery according to our general. Terms and conditions. Please observe the application assembly and storage guidelines.

All statements without guarantee. Reserve technical changes. Product illustrations may differ from the delivery product. Tender specifications, installation instructions and performance declarations (if required by law) can be found on our homepage. Please respect the environment for a proper disposal!

PROTEKTORWERK
Florenz Maisch GmbH & Co. KG
Postfach 1420, D-76554 Gaggenau
Viktoriastr. 58, D-76571 Gaggenau

Tel. +49 7225 977 - 0
Fax +49 7225 9 77 - 111
info@protektor.com
www.protektor.com

