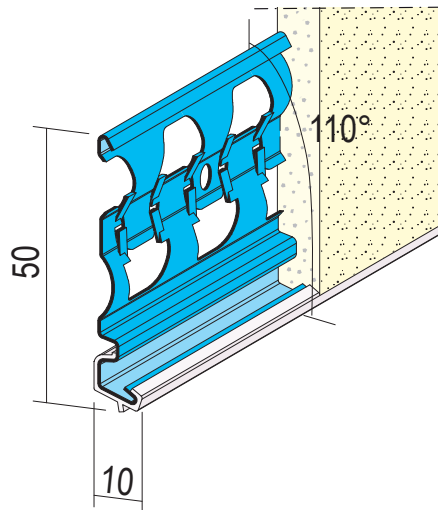


Product data sheet

Status: 08.07.2020 | 09:52

Item no. 1227



Designation	Base stop profile for exterior render 10 mm
Description	Base profile made of galvanised steel with PVC coating for exterior plaster of 10 mm and thicker. With an angle position of 110° for effective drip edges. The PVC coating protects against wear and corrosion.
Line of Business	Plaster
Productclass	Exterior render
Productgroup	Base rails
Plaster thickness	10,0 mm
Material	Galvanised steel, with PVC coating
Standard EN	EN 13658-2
Product length	250,0 cm, 300,0 cm
Angular Position	110°
Productcolor	■ weiß (10)
Reaction to fire (R2F)	E
Packaging Unit	25 BAR / 55 BUN

This product data sheet corresponds to the current state of development of our products and loses its validity upon publication of a new edition. Make sure you are using the latest edition of this information. Warranty and liability are based on delivery according to our general. Terms and conditions. Please observe the application assembly and storage guidelines.

All statements without guarantee. Reserve technical changes. Product illustrations may differ from the delivery product. Tender specifications, installation instructions and performance declarations (if required by law) can be found on our homepage. Please respect the environment for a proper disposal!

PROTEKTORWERK
Florenz Maisch GmbH & Co. KG
Postfach 1420, D-76554 Gaggenau
Viktoriastr. 58, D-76571 Gaggenau

Tel. +49 7225 977 - 0
Fax +49 7225 9 77 - 111
info@protektor.com
www.protektor.com

