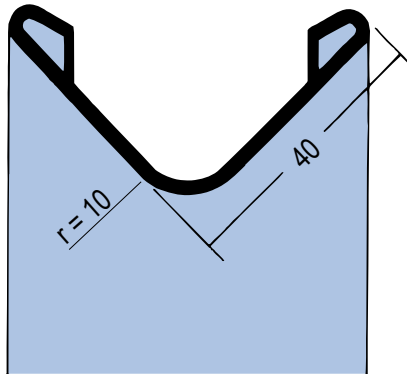


Product data sheet

Status: 14.08.2019 | 18:22

Item no. 2027



Designation	Corner protection profile rounded, R = 10 mm
Description	<p>Stainless steel corner protection beads protect corners subject to a high degree of wear in commercial kitchens, slaughterhouses, sanitary rooms and hospitals. Specially developed for schools and kindergartens. Satisfies the guidelines and requirements of the statutory accident prevention regulations. For installation before plastering. Use sliding anchor 2073 to secure by encasing in concrete or by screwing on. Plaster thickness with anchor = 21 mm. Required quantity: 2 pcs./lfdm. Remove the protective foil along the adhesive strip before applying adhesive. Matt surface.</p>
Line of Business	Plaster
Productclass	Exterior render
Productgroup	Corner beads
Plaster thickness	21,0 mm
Material	Stainless steel
Standard EN	EN 13658-2
Product length	200,0 cm, 250,0 cm, 300,0 cm
Reaction to fire (R2F)	A1
Packaging Unit	6 BAR / 100 BUN

PROTEKTORWERK
Florenz Maisch GmbH & Co. KG
Postfach 1420, D-76554 Gaggenau
Viktoriastr. 58, D-76571 Gaggenau

Tel. +49 7225 977 - 0
Fax +49 7225 9 77 - 111
info@protektor.com
www.protektor.com



Product data sheet

Status: 14.08.2019 | 18:22

Item no. 2027

Commentaires / Characteristics

Specially developed for schools and kindergartens. Satisfies the guidelines and requirements specified by the statutory accident prevention regulations.

Please observe the following data sheets:

*Data sheet Planning and Application of Metallic Plaster Profiles; published by: The European Association of Bead and Lath Producers, www.europrofiles.com

*Data sheet Plaster and Dry Construction in Damp Environments; published by: Zentralverband des Deutschen Baugewerbes, www.zdb.de

*Data sheet Winter Construction Sites; published by: Bundesverband der Gipsindustrie e.V., www.gips.de.

Sliding anchor 2073

This product data sheet corresponds to the current state of development of our products and loses its validity upon publication of a new edition. Make sure you are using the latest edition of this information. Warranty and liability are based on delivery according to our general. Terms and conditions. Please observe the application assembly and storage guidelines.

All statements without guarantee. Reserve technical changes. Product illustrations may differ from the delivery product. Tender specifications, installation instructions and performance declarations (if required by law) can be found on our homepage. Please respect the environment for a proper disposal!

PROTEKTORWERK

Florenz Maisch GmbH & Co. KG

Postfach 1420, D-76554 Gaggenau

Viktoriastr. 58, D-76571 Gaggenau

Tel. +49 7225 977 - 0

Fax +49 7225 9 77 - 111

info@protektor.com

www.protektor.com



PROFILE FÜR
MODERNES
BAUEN