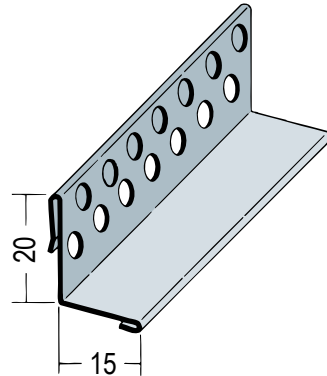


Product data sheet

Status: 14.08.2019 | 18:22

Item no. 2132



Designation	Clip-on profile for thermal insulation
Description	Box-shaped stainless steel render stops, for exterior plaster, used to mount or attach to base profiles. Also suitable for attaching to the edging profile of the apron of roller shutter and Venetian blind boxes.
Line of Business	Plaster
Productclass	Profiles for thermal insulation
Productgroup	Base rails
Plaster thickness	15,0 mm
Material	Stainless steel
Product length	250,0 cm
Reaction to fire (R2F)	A1
Packaging Unit	20 BAR / 132 BUN

Commentaires / Characteristics

When used on roller shutter boxes, the mesh must be guided completely over the perforated leg.

This product data sheet corresponds to the current state of development of our products and loses its validity upon publication of a new edition. Make sure you are using the latest edition of this information. Warranty and liability are based on delivery according to our general. Terms and conditions. Please observe the application assembly and storage guidelines.

All statements without guarantee. Reserve technical changes. Product illustrations may differ from the delivery product. Tender specifications, installation instructions and performance declarations (if required by law) can be found on our homepage. Please respect the environment for a proper disposal!

PROTEKTORWERK
Florenz Maisch GmbH & Co. KG
Postfach 1420, D-76554 Gaggenau
Viktoriastr. 58, D-76571 Gaggenau

Tel. +49 7225 977 - 0
Fax +49 7225 9 77 - 111
info@protektor.com
www.protektor.com

