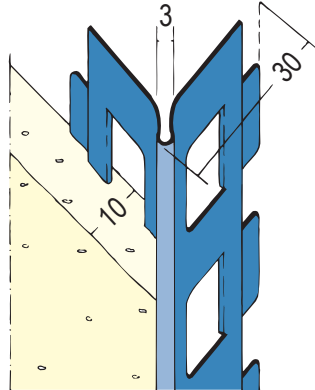


Product data sheet

Status: 12.01.2021 | 13:47

Item no. 2218



Designation	Corner bead for interior plaster and exterior render 10 mm, rounded edge
Description	PROTEKTOR Stainless steel corner profile for interior and exterior plasters of 10 mm and thicker.
Line of Business	Plaster
Productgroup	Corner beads
Plaster thickness	10,0 mm
Material	Stainless steel
Standard EN	EN 13658-2
Product length	250,0 cm, 260,0 cm, 300,0 cm
Reaction to fire (R2F)	A1
Application Areas	Ideally suited for damp and wet areas.
Packaging Unit	25 BAR / 66 BUN
	Please observe the following data sheets: *Data sheet Planning and Application of Metallic Plaster Profiles; published by: The European Association of Bead and Lath Producers, www.europrofiles.com *Data sheet Plaster and Dry Construction in Damp Environments; published by: Zentralverband des Deutschen Baugewerbes, www.zdb.de *Data sheet Winter Construction Sites; published by: Bundesverband der Gipsindustrie e.V., www.gips.de .

This product data sheet corresponds to the current state of development of our products and loses its validity upon publication of a new edition. Make sure you are using the latest edition of this information. Warranty and liability are based on delivery according to our general. Terms and conditions. Please observe the application assembly and storage guidelines.

All statements without guarantee. Reserve technical changes. Product illustrations may differ from the delivery product. Tender specifications, installation instructions and performance declarations (if required by law) can be found on our homepage. Please respect the environment for a proper disposal!

PROTEKTORWERK
Florenz Maisch GmbH & Co. KG
Postfach 1420, D-76554 Gaggenau
Viktoriastr. 58, D-76571 Gaggenau

Tel. +49 7225 977 - 0
Fax +49 7225 9 77 - 111
info@protektor.com
www.protektor.com

