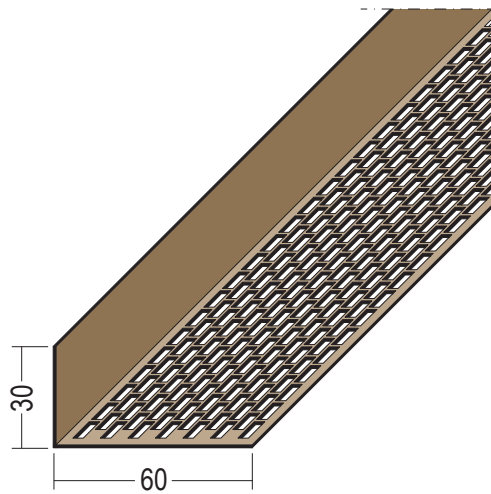


Product data sheet

Status: 05.12.2020 | 03:27

Item no. 3611



Designation	Ventilation angle one-sided square perforation PVC 30 x 60 mm
Description	The PROTEKTOR PVC ventilation angle with square perforations ensures optimal and effective ventilation while extracting moisture caused by diffusion or condensate water formation. It also provides the best possible degree of protection against the entry of small animals into the ventilation area. Free ventilation cross-section 291 cm ² /lfm.
Line of Business	Facade
Productclass	Roof and facade ventilation
Productgroup	Ventilation angles
Material	PVC-U
Material thickness	1,7 mm
Product length	250,0 cm
Product width	60,0 mm
Ventilation cross section in cm²	291 cm ² /lfm
Product height in mm	30,0 mm
Productcolor	■ schwarz (90) ■ weiß (10) ■ ziegelrot (33) ■ braun (47)
Packaging Unit	10 BAR / 120 BUN

This product data sheet corresponds to the current state of development of our products and loses its validity upon publication of a new edition. Make sure you are using the latest edition of this information. Warranty and liability are based on delivery according to our general. Terms and conditions. Please observe the application assembly and storage guidelines.

All statements without guarantee. Reserve technical changes. Product illustrations may differ from the delivery product. Tender specifications, installation instructions and performance declarations (if required by law) can be found on our homepage. Please respect the environment for a proper disposal!

PROTEKTORWERK
Florenz Maisch GmbH & Co. KG
Postfach 1420, D-76554 Gaggenau
Viktoriastr. 58, D-76571 Gaggenau

Tel. +49 7225 977-0
Fax +49 7225 9 77-111
info@protektor.com
www.protektor.com

