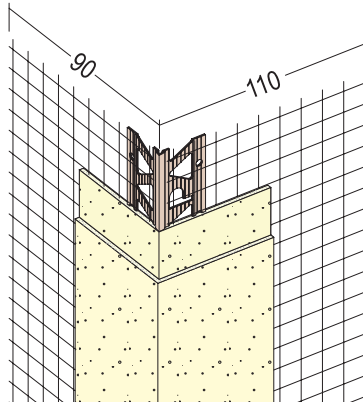


Product data sheet

Status: 04.12.2020 | 16:14

Item no. 3752



Designation	Flexible corner bead with mesh for thermal insulation 90 x 110 mm
Description	Variable PVC corner bead with mesh, with alkali-resistant fibreglass mesh, for heat insulation. The “kink fold” allows users to create various acute and obtuse angled edges (e.g. 135° edges). The roll has a length of 50 m, enabling the creation of joint-free corner execution, e.g. over the entire height of the building. Windows of different sizes can be created without any profile waste.
Line of Business	Plaster
Productclass	Profiles for thermal insulation
Productgroup	Corner beads
Material	Hard PVC
Product length	5.000,0 cm
Productcolor	■ weiß (10)
Packaging Unit	1 ROL / 20 CAR

This product data sheet corresponds to the current state of development of our products and loses its validity upon publication of a new edition. Make sure you are using the latest edition of this information. Warranty and liability are based on delivery according to our general. Terms and conditions. Please observe the application assembly and storage guidelines.

All statements without guarantee. Reserve technical changes. Product illustrations may differ from the delivery product. Tender specifications, installation instructions and performance declarations (if required by law) can be found on our homepage. Please respect the environment for a proper disposal!

PROTEKTORWERK
Florenz Maisch GmbH & Co. KG
Postfach 1420, D-76554 Gaggenau
Viktoriastr. 58, D-76571 Gaggenau

Tel. +49 7225 977 - 0
Fax +49 7225 9 77 - 111
info@protektor.com
www.protektor.com

