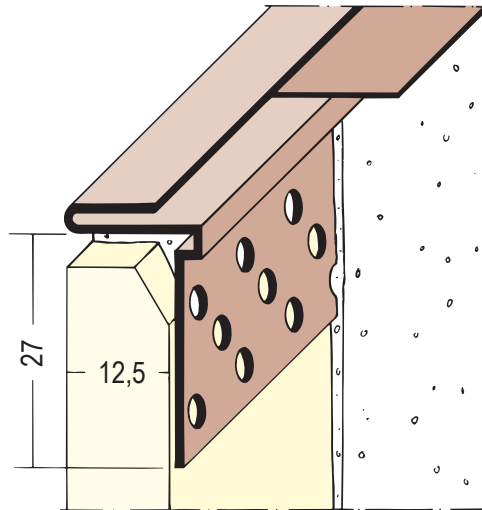


Product data sheet

Status: 08.12.2020 | 21:31

Item no. 3766



Designation	Connecting profile for dry lining 12,5 mm PB
Description	PVC stop profile for creating one-side trowled graduations with shadow joints, e.g. for the area of sliding ceiling and wall connections. For plasterboard panels of 12.5 mm and thicker with pull-out cover strips. Profiles must also be fastened with clips. The S shape of the PVC profile provides for an elastic connection to adjacent construction elements (e.g. ceilings, wooden components). The pull-out cover strip protects adjacent building elements against dirt.
Line of Business	Plaster
Productclass	Accessory profiles for drylining purposes
Productgroup	Render stops / Architave beads
Plaster thickness	1,0 mm
Material	Hard PVC
GK/Plate	ab 12,5 mm
Product length	300,0 cm
Productcolor	■ weiß (10)
Treatment	All profiles must also be fastened with clips.
Packaging Unit	35 BAR / 70 CAR

This product data sheet corresponds to the current state of development of our products and loses its validity upon publication of a new edition. Make sure you are using the latest edition of this information. Warranty and liability are based on delivery according to our general. Terms and conditions. Please observe the application assembly and storage guidelines.

All statements without guarantee. Reserve technical changes. Product illustrations may differ from the delivery product. Tender specifications, installation instructions and performance declarations (if required by law) can be found on our homepage. Please respect the environment for a proper disposal!

PROTEKTORWERK
Florenz Maisch GmbH & Co. KG
Postfach 1420, D-76554 Gaggenau
Viktoriastr. 58, D-76571 Gaggenau

Tel. +49 7225 977 - 0
Fax +49 7225 9 77 - 111
info@protektor.com
www.protektor.com

