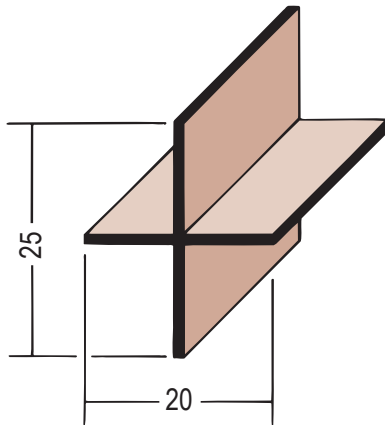


Product data sheet

Status: 04.12.2020 | 13:32

Item no. 3914



Designation	Dummy joint profile screed PVC
Description	Dummy joint profiles for concrete floors and screed allow users to create clean and straight dummy joints. Installation takes place while the screed is being laid. When pushing in the profile, remember to horizontally/vertically orient the profile to ensure that the leg overlap is equally high. The higher leg must be installed vertically. Function: <ul style="list-style-type: none">• dummy joint• clean surface finish• straight joint run
Line of Business	Facade
Productclass	Concrete / Screed Joint Profiles
Material	PVC-U
Product length	250,0 cm
Product width	20,0 mm
Product height in mm	25,0 mm
Packaging Unit	40 BAR / 24 CAR

This product data sheet corresponds to the current state of development of our products and loses its validity upon publication of a new edition. Make sure you are using the latest edition of this information. Warranty and liability are based on delivery according to our general. Terms and conditions. Please observe the application assembly and storage guidelines.

All statements without guarantee. Reserve technical changes. Product illustrations may differ from the delivery product. Tender specifications, installation instructions and performance declarations (if required by law) can be found on our homepage. Please respect the environment for a proper disposal!

PROTEKTORWERK
Florenz Maisch GmbH & Co. KG
Postfach 1420, D-76554 Gaggenau
Viktoriastr. 58, D-76571 Gaggenau

Tel. +49 7225 977 - 0
Fax +49 7225 9 77 - 111
info@protektor.com
www.protektor.com

