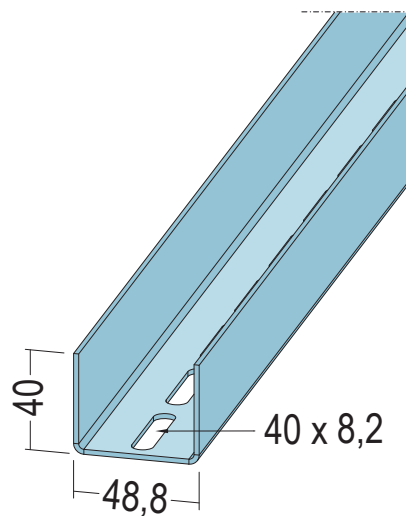


Product data sheet

Status: 06.07.2020 | 16:31

Item no. 5129



| | |
|-------------------------------|--|
| Designation | U Reinforcing profile U 50-20 |
| Description | Application area: walls/wall faces, especially in door areas, or support profiles for free-hanging ceilings. |
| Line of Business | Drywall |
| Productclass | Standard ceiling and wall |
| Productgroup | U-Reinforcement profiles |
| Material | Galvanised steel |
| Material thickness | 2,0 mm |
| Galvanizing | tested to standard |
| Standard EN | EN 14195 |
| Standard | DIN18182-1 |
| Product length | 250,0 cm, 260,0 cm, 275,0 cm, 300,0 cm, 325,0 cm, 350,0 cm, 375,0 cm, 400,0 cm, 450,0 cm, 500,0 cm, 600,0 cm |
| Product width | 48,8 mm |
| Reaction to fire (R2F) | A1 |
| Packaging Unit | 6 BAR / 15 BUN |

This product data sheet corresponds to the current state of development of our products and loses its validity upon publication of a new edition. Make sure you are using the latest edition of this information. Warranty and liability are based on delivery according to our general. Terms and conditions. Please observe the application assembly and storage guidelines.

All statements without guarantee. Reserve technical changes. Product illustrations may differ from the delivery product. Tender specifications, installation instructions and performance declarations (if required by law) can be found on our homepage. Please respect the environment for a proper disposal!

PROTEKTORWERK
Florenz Maisch GmbH & Co. KG
Postfach 1420, D-76554 Gaggenau
Viktoriastr. 58, D-76571 Gaggenau

Tel. +49 7225 977 - 0
Fax +49 7225 9 77 - 111
info@protektor.com
www.protektor.com

