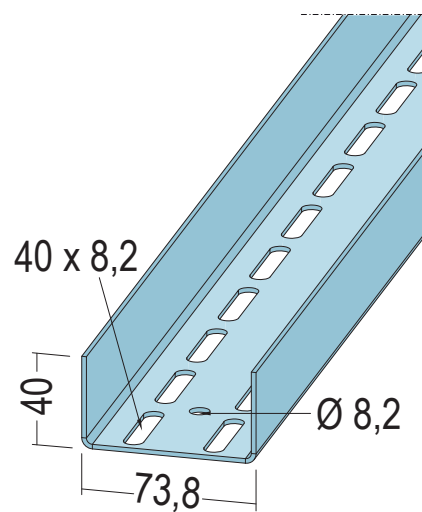


Product data sheet

Status: 17.06.2020 | 16:55

Item no. 5130



Designation	U Reinforcing profile U 75-20
Description	Application area: walls/wall faces, especially in door areas, or support profiles for free-spanning ceilings.
Line of Business	Drywall
Productclass	Standard ceiling and wall
Productgroup	U-Reinforcement profiles
Material	Galvanised steel
Material thickness	2,0 mm
Galvanizing	tested to standard
Standard EN	EN 14195
Standard	DIN18182-1
Product length	250,0 cm, 260,0 cm, 275,0 cm, 300,0 cm, 325,0 cm, 350,0 cm, 375,0 cm, 400,0 cm, 450,0 cm, 500,0 cm, 600,0 cm
Product width	73,8 mm
Reaction to fire (R2F)	A1
Packaging Unit	4 BAR / 25 BUN

This product data sheet corresponds to the current state of development of our products and loses its validity upon publication of a new edition. Make sure you are using the latest edition of this information. Warranty and liability are based on delivery according to our general. Terms and conditions. Please observe the application assembly and storage guidelines.

All statements without guarantee. Reserve technical changes. Product illustrations may differ from the delivery product. Tender specifications, installation instructions and performance declarations (if required by law) can be found on our homepage. Please respect the environment for a proper disposal!

PROTEKTORWERK
Florenz Maisch GmbH & Co. KG
Postfach 1420, D-76554 Gaggenau
Viktoriastr. 58, D-76571 Gaggenau

Tel. +49 7225 977 - 0
Fax +49 7225 9 77 - 111
info@protektor.com
www.protektor.com

