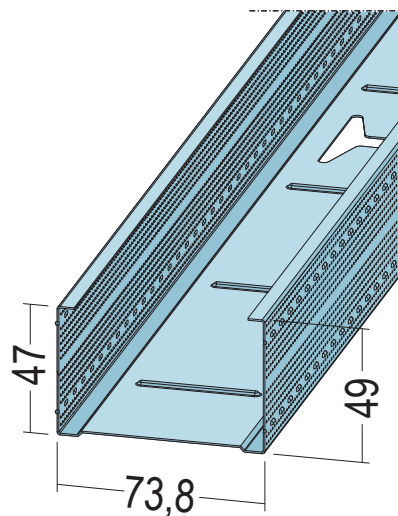


Product data sheet

Status: 26.09.2020 | 08:15

Item no. 5215



Designation	C-stud C 75-06
Description	Application area: stand profile for walls/wall faces or support profile for free-spanning ceilings. H cut-out at each end, continuously every 250 mm and subsequently every 500 mm.
Line of Business	Drywall
Productclass	Standard ceiling and wall
Productgroup	MAXI-CW-Studs
Material	Galvanised steel
Galvanizing	tested to standard
Standard EN	EN 14195
Product length	250,0 cm, 260,0 cm, 275,0 cm, 300,0 cm, 325,0 cm, 350,0 cm, 375,0 cm, 400,0 cm, 450,0 cm, 500,0 cm, 600,0 cm
Product width	73,8 mm
Reaction to fire (R2F)	A1
Packaging Unit	8 BAR / 12 BUN
	H cut-out at each end, every 250 mm and subsequently every 500 mm

This product data sheet corresponds to the current state of development of our products and loses its validity upon publication of a new edition. Make sure you are using the latest edition of this information. Warranty and liability are based on delivery according to our general. Terms and conditions. Please observe the application assembly and storage guidelines.

All statements without guarantee. Reserve technical changes. Product illustrations may differ from the delivery product. Tender specifications, installation instructions and performance declarations (if required by law) can be found on our homepage. Please respect the environment for a proper disposal!

PROTEKTORWERK
Florenz Maisch GmbH & Co. KG
Postfach 1420, D-76554 Gaggenau
Viktoriastr. 58, D-76571 Gaggenau

Tel. +49 7225 977 - 0
Fax +49 7225 9 77 - 111
info@protektor.com
www.protektor.com

