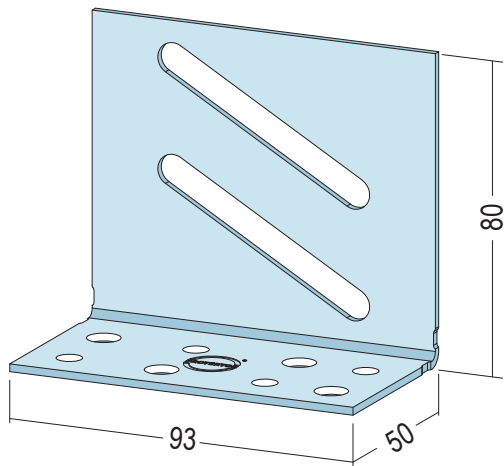


Product data sheet

Status: 04.12.2020 | 10:16

Item no. 6182



Designation	Connecting bracket for U 100/U 125
Description	For attaching UA profiles to floors and ceilings.
Line of Business	Drywall
Productclass	Standard Accessories
Productgroup	Angle for U-Reinforcement profiles
Material	Galvanised steel
Material thickness	2,0 mm
Galvanizing	tested to standard
Product width	93,0 mm
Reaction to fire (R2F)	A1
Capacity class	k.A.
Packaging Unit	25 PC / 168 BUN

This product data sheet corresponds to the current state of development of our products and loses its validity upon publication of a new edition. Make sure you are using the latest edition of this information. Warranty and liability are based on delivery according to our general. Terms and conditions. Please observe the application assembly and storage guidelines.

All statements without guarantee. Reserve technical changes. Product illustrations may differ from the delivery product. Tender specifications, installation instructions and performance declarations (if required by law) can be found on our homepage. Please respect the environment for a proper disposal!

PROTEKTORWERK
Florenz Maisch GmbH & Co. KG
Postfach 1420, D-76554 Gaggenau
Viktoriastr. 58, D-76571 Gaggenau

Tel. +49 7225 977 - 0
Fax +49 7225 9 77 - 111
info@protektor.com
www.protektor.com

