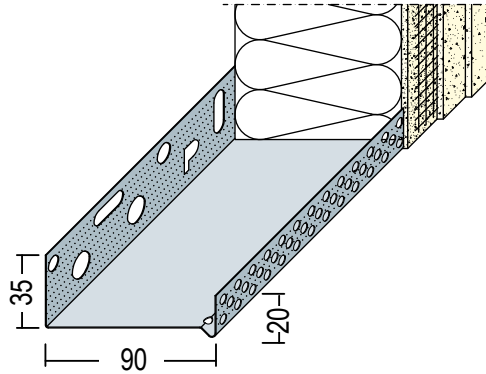


Product data sheet

Status: 22.01.2020 | 12:46

Item no. 90609



Designation	Base profile for thermal insulation 90 mm, Alu
Description	Aluminium base profile for thermal insulation systems.
Line of Business	Plaster
Productclass	Profiles for thermal insulation
Productgroup	Base rails
Material	Aluminum natural
Material thickness	0,6 mm
Product length	250,0 cm
Product height in mm	35,0 mm
Packaging Unit	10 BAR / 60 BUN

This product data sheet corresponds to the current state of development of our products and loses its validity upon publication of a new edition. Make sure you are using the latest edition of this information. Warranty and liability are based on delivery according to our general. Terms and conditions. Please observe the application assembly and storage guidelines.

All statements without guarantee. Reserve technical changes. Product illustrations may differ from the delivery product. Tender specifications, installation instructions and performance declarations (if required by law) can be found on our homepage. Please respect the environment for a proper disposal!

PROTEKTORWERK
Florenz Maisch GmbH & Co. KG
Postfach 1420, D-76554 Gaggenau
Viktoriastr. 58, D-76571 Gaggenau

Tel. +49 7225 977-0
Fax +49 7225 9 77-111
info@protektor.com
www.protektor.com

