

25 Gallon Hopper

311534G

EN

Model 25D078

Gravity Feed Hopper Kit with flexible connection hose for spraying of architectural paints, coatings, roof coatings, and below grade coatings

Model 287987

Gravity feed hopper for high production painting and plastering applications

Model 24W889

Gravity feed hopper for water borne materials such as mortars, mastics and fire proofing

Includes instructions for conversion kits:

Model 243392


Model 243380

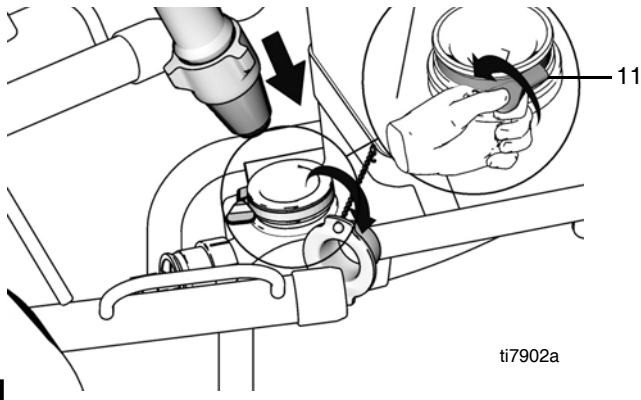


Important Safety Instructions

Read all warnings and instructions in 311421 manual. Be familiar with the proper usage and the controls of the equipment. Save these instructions

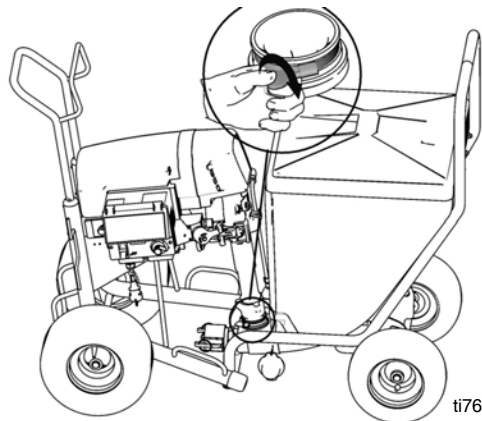


	311535 / 332612
	311421



ti7902a

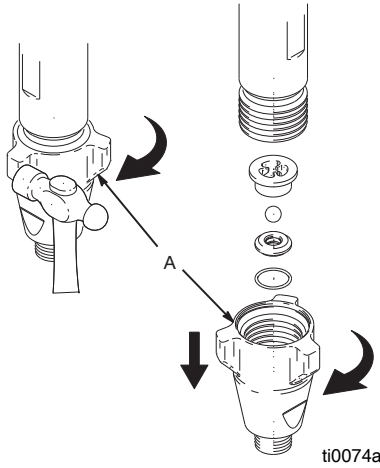
1



ti7691a

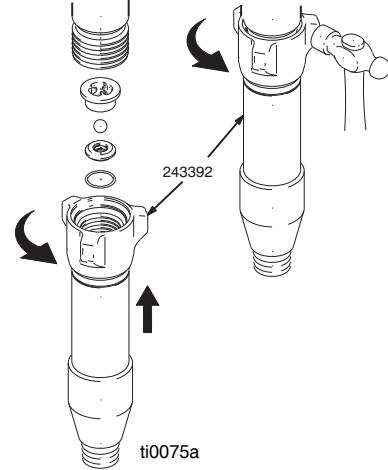
2

243392: Ultra Max 1595, GMax 5900 Hi-Boy



ti0074a

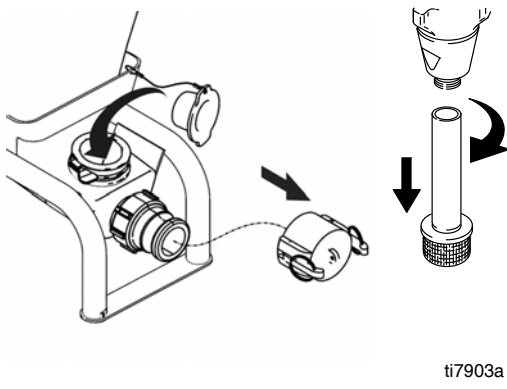
3



ti0075a

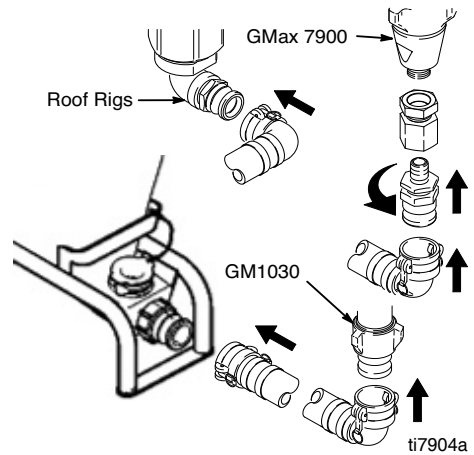
4

243380: GM1030, GMax7900, Roof Rigs



ti7903a

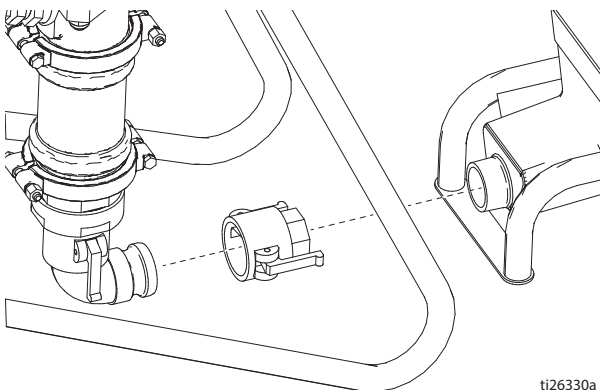
5



ti7904a

6

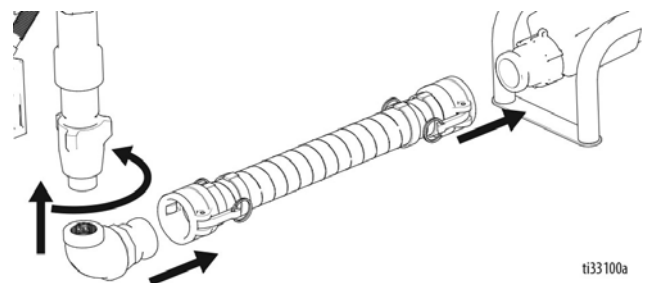
262909/24W889: Mortar Pump



ti26330a

7

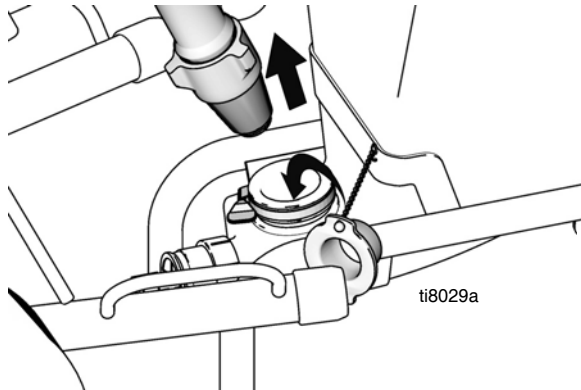
25D078: EH675 and GH675



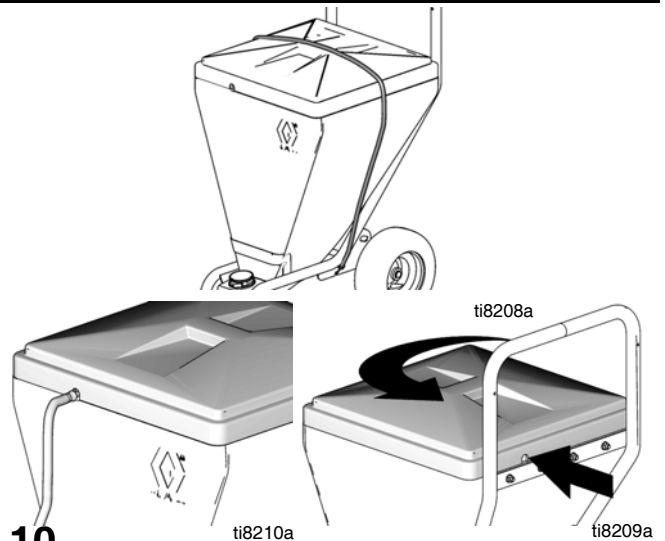
ti33100a

8

Clean Up



9



10

Set Up

- 1 Remove texture hopper from crate.
- 2 Reference Parts, page 5. Replace sprayer drain hose with drain hose kit shipped with texture hopper. Remove pail holder from sprayer, if applicable.
- 3 Install plug (10).

Mounting Texture Hopper on Sprayer

- 1 Fig. 1. Install 45° elbow (26*) to sprayer paint outlet.
*Use 45° elbow 15J002 for Mark X. Elbow 15J002 comes in Mark X parts box.
- 2 Remove strainer.
- 3 Remove plug (12).
- 4 Loosen hose clamp (11).
- 5 Fig. 2. Lift sprayer front end. Roll sprayer until pump is over opening on texture hopper. Lower sprayer pump into opening, tighten clamp.

Conversion Kit 243392: Ultra Max 1595 and GMax 5900 Hi-Boy

- 1 Fig. 3. Remove foot valve (A) from pump.
- 2 Fig. 4. Install Conversion Kit 243392 onto pump.

Hose Kit 243380: GM1030, GMax 7900 and Roof Rigs

- 1 Fig. 5. Remove suction tube and screen from pump and plug (10) from hopper. Install plug (12).
- 2 Fig. 6. Install 90° connector to pump and straight connector to hopper.

English

Clean Up

- 1 Scrub hopper with water and long-handled brush.

NOTICE

Sharp corners of scrapers can gouge the plastic of the hopper and, in time, cause leaks.

- 2 Scrape dry, hard material in hopper with plastic scraper.
- 3 Flush residue with water.

Transport

- 1 Fig. 7. Loosen hose clamp (11).
- 2 Pull sprayer up and back from texture hopper.
- 3 Install plug (12).

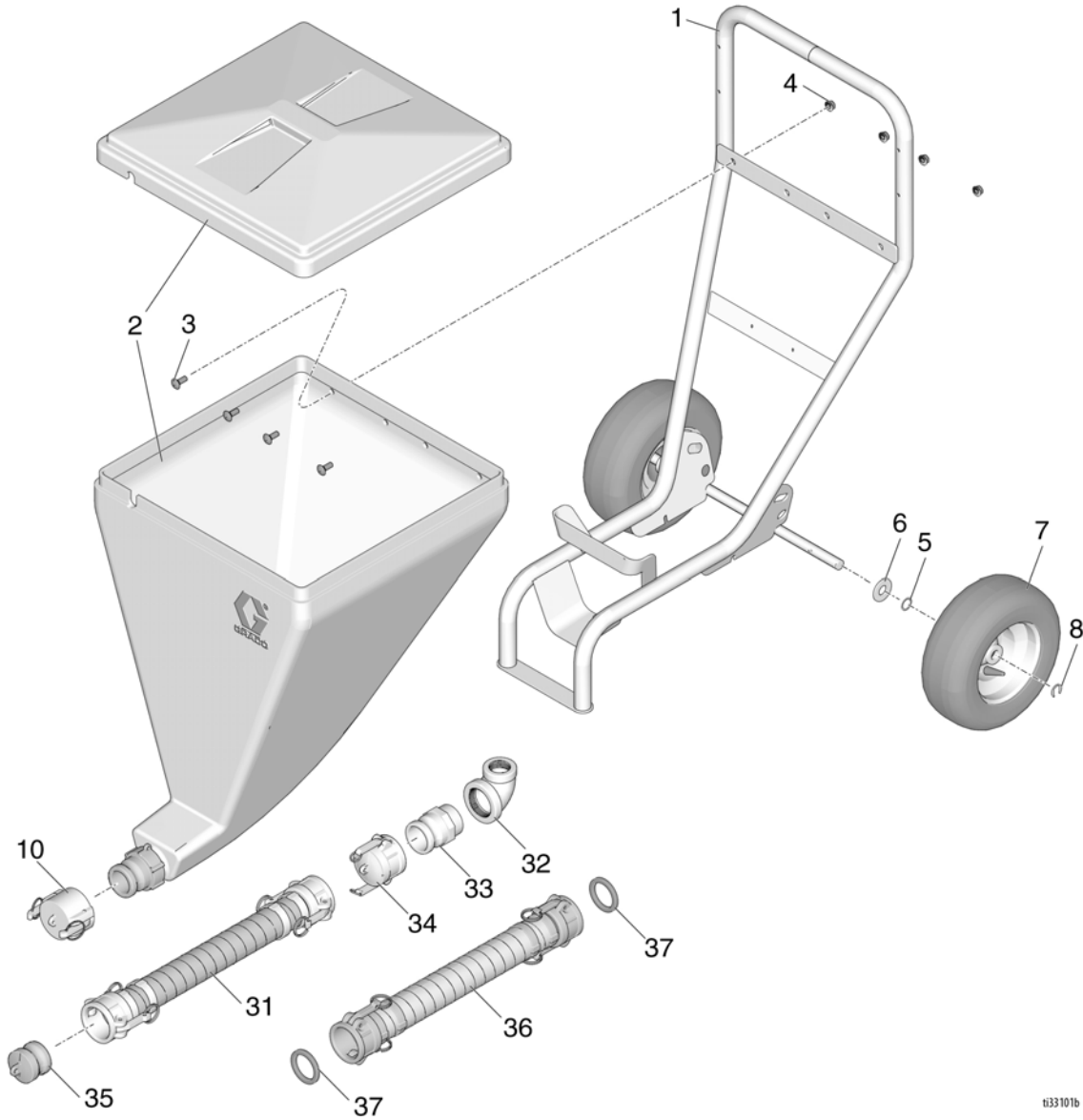
Tips

- Fig. 8. Secure lid with elastic cord in slots in gussets.

1. Rotate cover 180° when drain hose is removed.

NOTE: For GH833, also purchase union swivel 113864 (if swivel is desired) and bushing 109505.

25 Gallon Hopper - 25D078



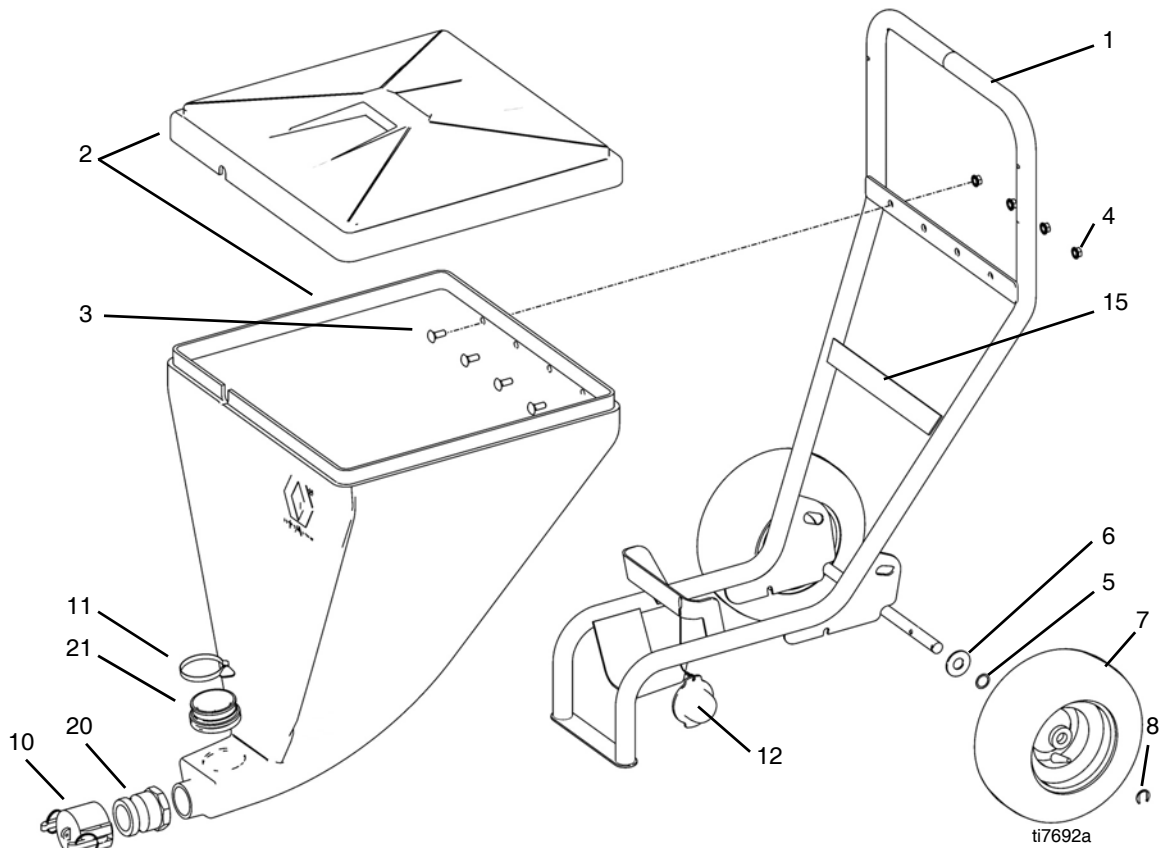
ti33101b

25 Gallon Hopper Parts List

Ref	Part	Description	Qty	Ref	Part	Description	Qty
1	288062	FRAME, hopper, painted	1	31	25D091	HOSE, suction, assembly	1
2	25M599	HOPPER, assembly	1	32	116976	FITTING, elbow, 90 deg, female	1
3	113956	BOLT, carriage	4	33	130366	ADAPTER, male, quick disconnect	1
4	112958	NUT, hex, flanged	4	34	17V095	FITTING, cam and groove, 2"npt	1
5	116038	WASHER, wave spring	2	35	17V096	PLUG, 2", quick disconnect	1
6	156306	WASHER, flat	2	36*	17Y659	HOSE, suction, solvent, assembly	1
7	119420	WHEEL, pneumatic	2	37*	17Y663	GASKETS, solvent resistant	2
8	15E891	CLIP, retaining	2				
10	115735	PLUG, 2", Q.D.	1				

* Optional, not included in 25D078

25 Gallon Texture Hopper



Parts List 287987

Ref	Part	Description	Qty
1	288062	FRAME, hopper, painted	1
2	287969	HOPPER, 25 gallons	1
3	113956	BOLT, carriage	4
4	112958	NUT, HEX, flanged	4
5	116038	WASHER, wave spring	2
6	156306	WASHER, flat	2
7	119420	WHEEL, pneumatic	2
8	15E891	CLIP, retaining	2
10	115735	PLUG, hopper	1
11	15H631	CLAMP, hose	1
12	15H635	PLUG, hopper	1
13	15B746	HOSE, drain, not shown	1
14	241920	DEFLECTOR, threaded, not shown	1
15		LABEL, identification	1
20	15A562	COUPLER	1
21	194420	GROMMET	1
26	116756	ELBOW, 45° (not shown)	1

Parts List 24W889

Ref	Part	Description	Qty
1	24W888	FRAME, hopper, painted	1
2	24W886	HOPPER, assembly	1
3	113956	BOLT, carriage	4
4	112958	NUT, hex, flanged	4
5	116038	WASHER, wave spring	2
6	156306	WASHER, flat	2
7	119420	WHEEL, pneumatic	2
8	15E891	CLIP, retaining	2
31	127974	FITTING	1
34	114271	STRAP, retaining	1

*All written and visual data contained in this document reflects the latest product information available at the time of publication.
Graco reserves the right to make changes at any time without notice.*

Original instructions. This manual contains English. MM

Graco Headquarters: Minneapolis

International Offices: Belgium, China, Japan, Korea

GRACO INC. AND SUBSIDIARIES • P.O. BOX 1441 • MINNEAPOLIS MN 55440-1441 • USA
Copyright 2016, Graco Inc. All Graco manufacturing locations are registered to ISO 9001.

www.graco.com
Revision G, May 2019