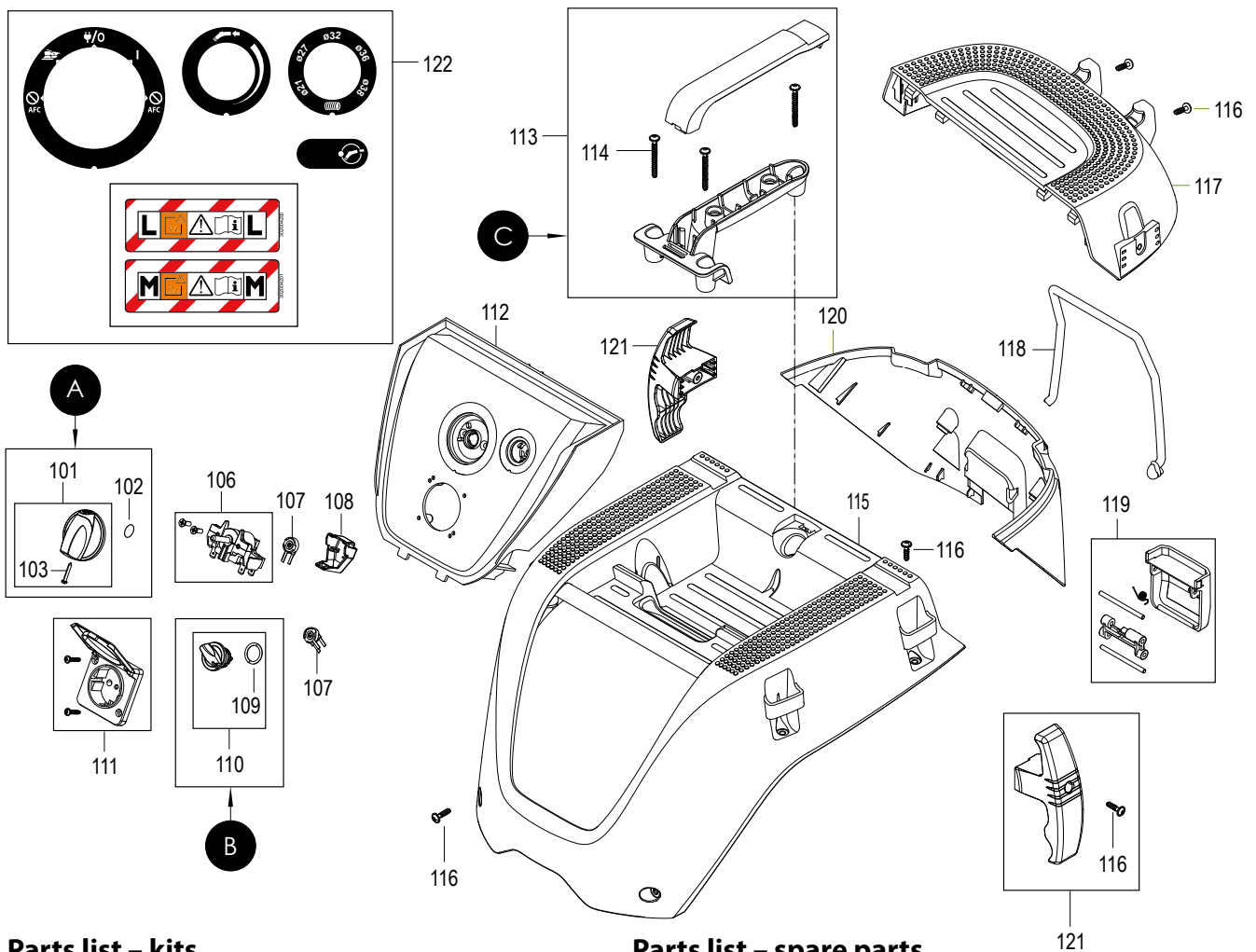


# Exploded view of Dust Extractor 1230 L & 1242 L • AFC • 230V & 110V

Updated 11.07.2021



## Parts list – kits

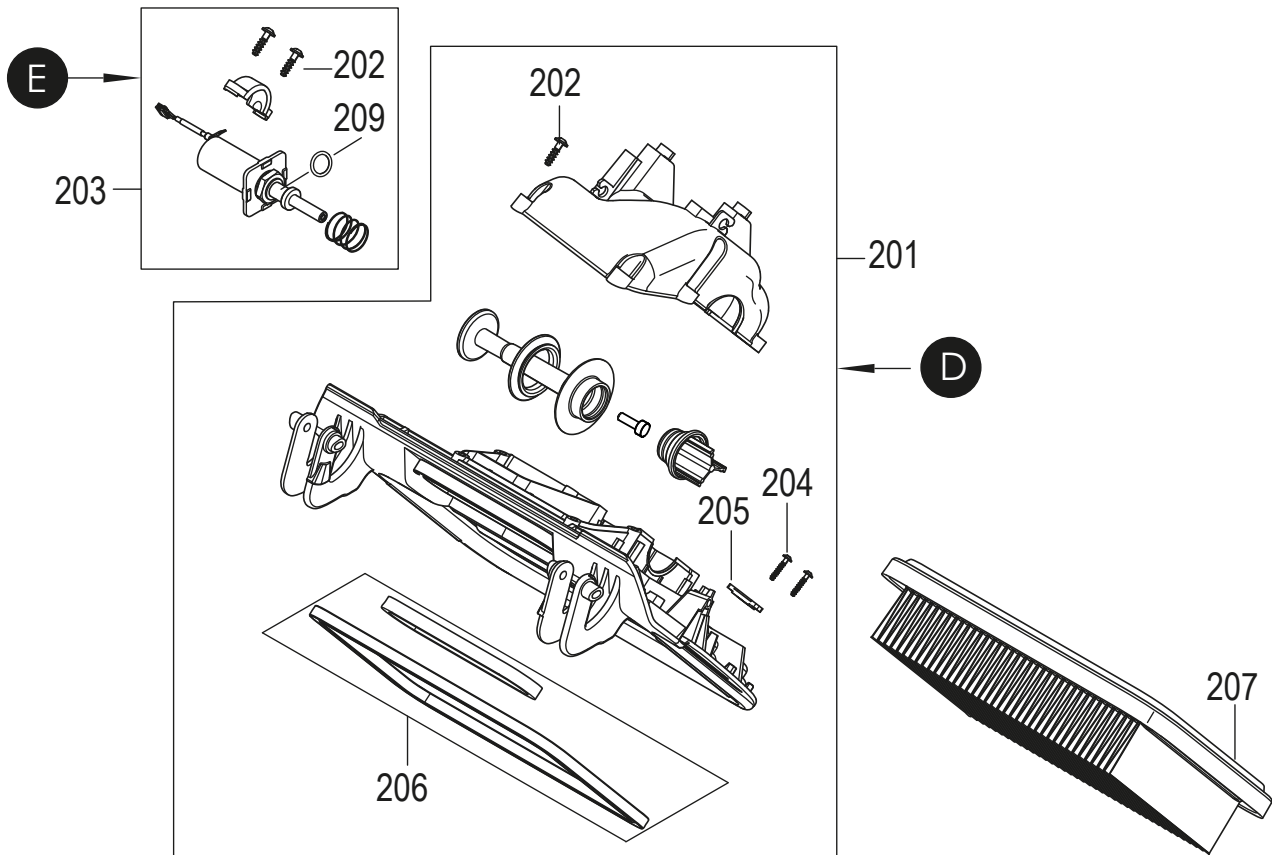
Mirka code	Item	Description	Kit	Qty
<b>8999603611</b>		<b>Rotary knob kit</b>	A	
	101	Rotary knob		1
	102	O-ring 10 x 2,5 mm		1
	103	Screw 2,9 x 19 mm		1
<b>8999211011</b>		<b>Turning knob kit</b>	B	
	109	O-ring 16 x 2 mm		1
	110	Turning knob		1
<b>8999211311</b>		<b>Handle kit</b>	C	
	113	Handle kit		1
	114	Screw 5 x 45 mm		3

## Parts list – spare parts

Mirka code	Item	Description	Kit	Qty
	101	Rotary knob kit	A	1
	102	O-ring 10 x 2,5 mm	A	1
	103	Screw 2,9 x 19 mm	A	1
<b>8999210611</b>	<b>106</b>	<b>Rotary switch 16 A</b>		1
<b>8999210711</b>	<b>107</b>	<b>Potentiometer with wire</b>		2
<b>8999210811</b>	<b>108</b>	<b>Cap for pot-meter</b>		1
	109	O-ring 16 x 2 mm	B	1
	110	Turning knob kit	B	1
<b>8999601911</b>	<b>111</b>	<b>Socket 16 A / 250V, EU</b>		1
<b>8999711011GB</b>	<b>111</b>	<b>Socket 13 A / 250V, GB</b>		1
8999211111	111	Socket 10 A / 250V, AU/NZ		1
<b>8999212311</b>	<b>111</b>	<b>Socket 10 A / 250V, CH</b>		1
8999212811	111	Socket 10 A / 250V, CN		1
<b>8999601711</b>	<b>111</b>	<b>Socket 15 A / 125V, US/CSA</b>		1
<b>8999211211</b>	<b>112</b>	<b>Control panel L AFC</b>		1
	113	Handle	C	1
	114	Screw 5 x 45 mm	C	3
<b>8999211511</b>	<b>115</b>	<b>Top cover</b>		1
<b>8999701411</b>	<b>116</b>	<b>Screw 5 x 18 mm</b>		17
<b>8999211711</b>	<b>117</b>	<b>Hatch door upper cover for AFC</b>		1
<b>8999211811</b>	<b>118</b>	<b>Cord strap</b>		1
<b>8999211911</b>	<b>119</b>	<b>Hatch door clamp kit</b>		1
<b>8999212011</b>	<b>120</b>	<b>Hatchback lower cover</b>		1
<b>8999212111</b>	<b>121</b>	<b>Hose hook</b>		1
<b>8999212211</b>	<b>122</b>	<b>Label kit AFC control panel &amp; dust class</b>		1

Exploded view of Dust Extractor **1230 L & 1242 L • AFC • 230 V & 110 V**

Updated 11.07.2021



**Parts list – kits**

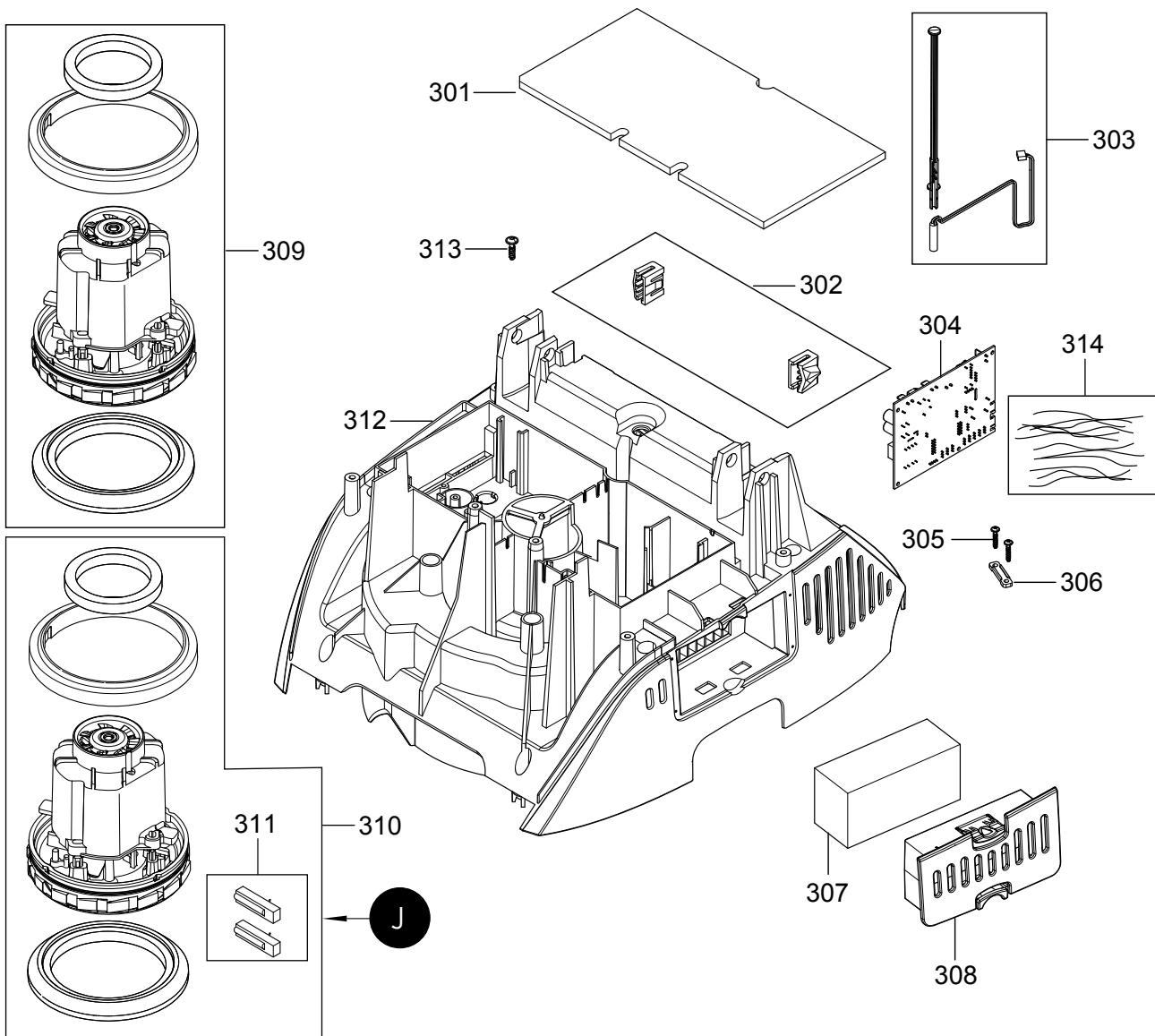
Mirka code	Item	Description	Kit	Qty
<b>8999220811</b>		<b>Hatch door frame kit AFC</b>	D	
	201	Hatch door frame		1
	202	Screw 5 x 18 mm		15
	204	Screw 3,5 x 18 mm		1
	205	Strap 3 x 8 x 33 mm		1
	206	Hatch door filter gasket		1
<b>8999220311</b>		<b>Solenoid kit 220–240 V AFC</b>	E	
	202	Screw 5 x 18 mm		2
	203	Solenoid 220–240 V		1
	209	Washer nylon		1
<b>8999220321</b>		<b>Solenoid kit 100–120 V AFC</b>	E	
	202	Screw 5 x 18 mm		2
	203	Solenoid 100–120 V		1
	209	Washer nylon		1

**Parts list – spare parts**

Mirka code	Item	Description	Kit	Qty
	201	Hatch door frame AFC	D	1
	202	Screw 5 x 18 mm	D, E	15, 2
	203	Solenoid 220–240 V AFC	E	1
	204	Screw 3,5 x 18 mm	D	2
	205	Strap 3 x 8 x 33 mm	D	1
	206	Hatch door filter gasket	D	1
<b>8999100411</b>	<b>207</b>	<b>Filter</b>		1
<b>8999220911</b>	<b>209</b>	<b>Washer nylon</b>	E	1

# Exploded view of Dust Extractor 1230 L & 1242 L • AFC • 230 V & 110 V

Updated 11.07.2021



## Parts list – kits

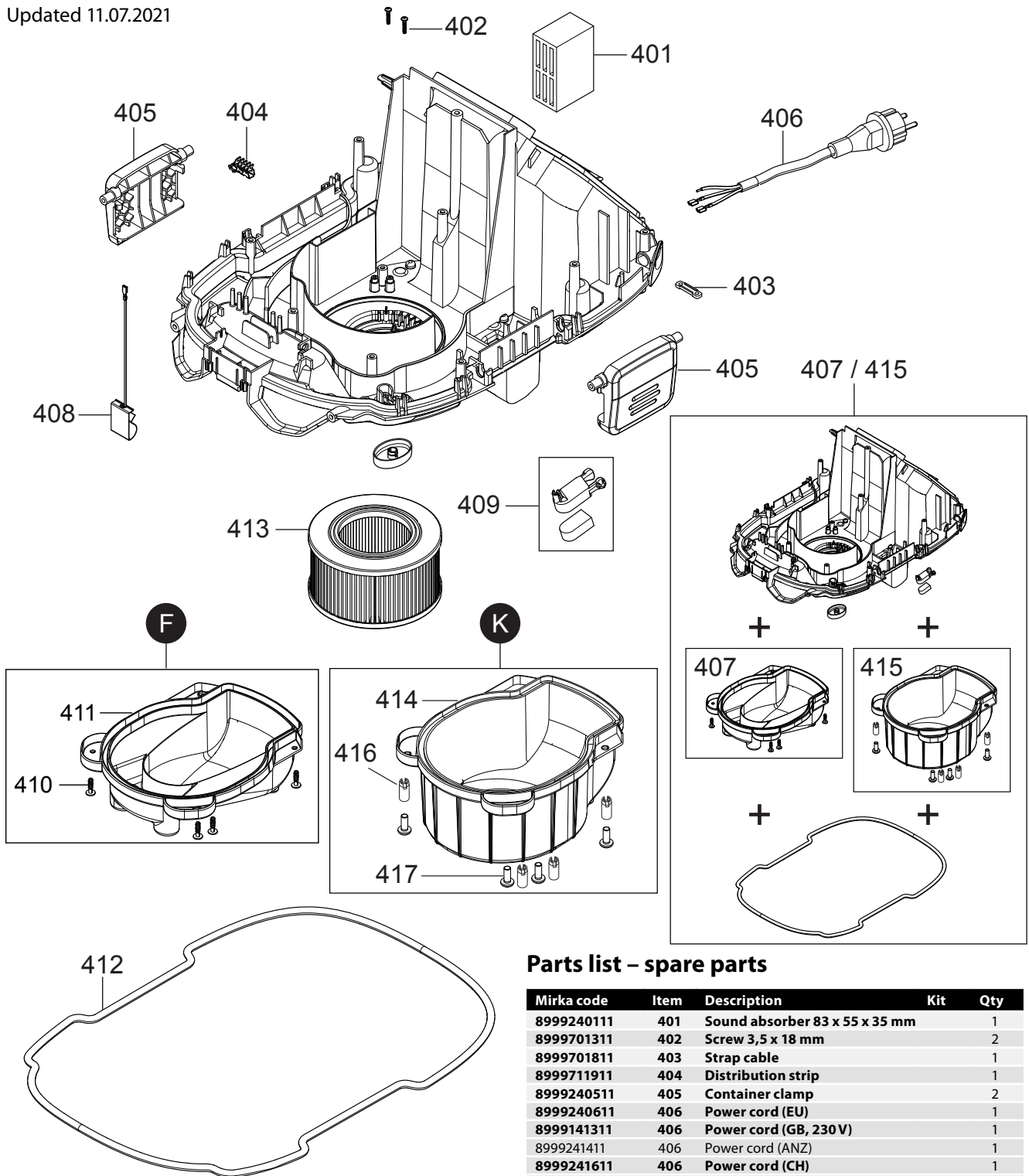
Mirka code	Item	Description	Kit	Qty
8999231011		<b>Motor assembly 110V</b>	J	
	310	Motor assembly 110V		1
	311	Carbon brush 110V		2

## Parts list – spare parts

Mirka code	Item	Description	Kit	Qty
8999230111	301	Foam sealing 298 x 148 mm		1
8999230211	302	Hatch door hinge snap		2
8999230311	303	Reed sensor with applicator		1
8999230411	304	Electronic board 230–240 V L AFC		1
8999230421	304	Electronic board 110–120 V L AFC		1
8999701311	305	Screw 3,5 x 18 mm		2
8999701811	306	Strap cable		1
8999110111	307	Motor cooling filter		1
8999230811	308	Cover for motor cooling filter		1
8999230911	309	<b>Motor assembly 230 V</b>		1
	310	Motor assembly 110V	J	
8999231111	311	<b>Carbon brush 110V</b>	J	
8999231211	312	Airguide L		1
8999701411	313	Screw 5 x 18 mm		9
8999231411	314	Wire / Capacitor kit		6

# Exploded view of Dust Extractor 1230 L & 1242 L • AFC • 230V & 110V

Updated 11.07.2021



## Parts list – kits

Mirka code	Item	Description	Kit	Qty
<b>8999241111</b>		<b>Air flow cover kit</b>	F	
	410	Screw 5 x 18 mm, stainless steel		4
	411	Air flow cover kit, black		1
<b>8999100811 *</b>		<b>Hepa filter cover kit</b>	K	OPT.
	414	Hepa filter cover		1
	416	Screw insert		4
	417	Screw 5 x 12 mm		4

\* Standard in North America

## Parts list – spare parts

Mirka code	Item	Description	Kit	Qty
8999240111	401	Sound absorber 83 x 55 x 35 mm		1
8999701311	402	Screw 3,5 x 18 mm		2
8999701811	403	Strap cable		1
8999711911	404	Distribution strip		1
8999240511	405	Container clamp		2
8999240611	406	Power cord (EU)		1
8999141311	406	Power cord (GB, 230V)		1
8999241411	406	Power cord (ANZ)		1
8999241611	406	Power cord (CH)		1
8999241711	406	Power cord (CN)		1
8999321111	406	Power cord (US, 120V)		1
8999240711	407	Base plate with air flow cover		1
8999240811	408	Contact spring with wire		1
8999240911	409	Floater with magnet		1
8999241011	410	Screw 5 x 18 mm, stainless steel	F	4
	411	Air flow cover, black	F	1
8999241211	412	Container sealing		1
8999100711 *	413	Hepa filter		OPT.
	414	Hepa filter cover	K	OPT.
8999141511	415	Base plate with hepa filter cover		OPT.
	416	Screw insert	K	OPT.
	417	Screw 5 x 12 mm	K	OPT.

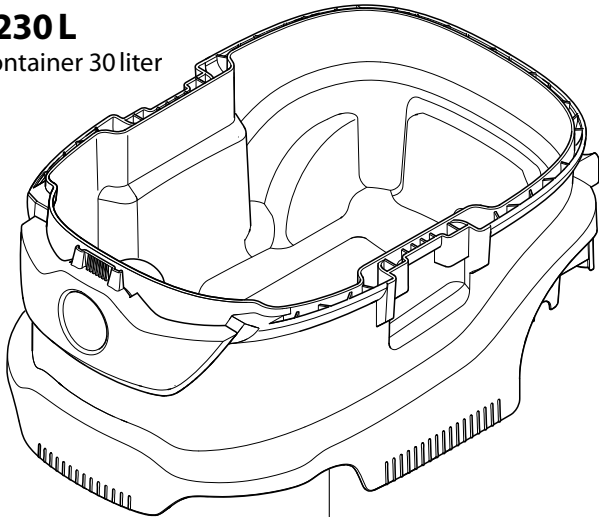
\* Standard in North America

**Exploded view of Dust Extractor 1230 L & 1242 L • AFC • 230 V & 110 V**

Updated 11.07.2021

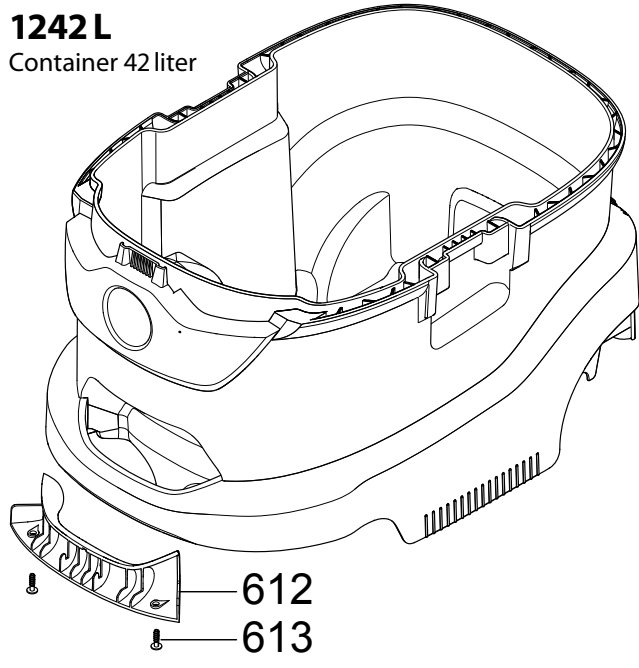
**1230 L**

Container 30 liter



**1242 L**

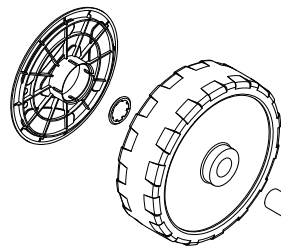
Container 42 liter



**501**  
**503**

**602**

**612**  
**613**



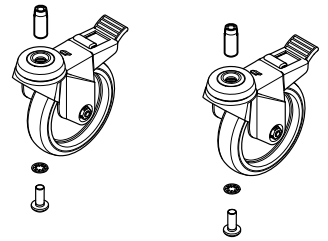
505

504

506

Only with item 602

**603**



**Parts list – spare parts**

Mirka code	Item	Description	Kit	Qty
8999250111	501	Container 30 L		1
8999250311	503	Front wheels D75 mm, 2/pack		2
8999250411	504	Screw 5 x 35 mm		1
8999703611	505	Wheel axle		1
8999150611	506	Rear wheel D175		2
8999703911	507	Clamping ring		2
8999250811	508	Wheel cap		2
8999260211	602	Container 42 L		1
8999260311	603	Castor wheel D100 with brake		2
8999261211	612	Handle inner for container 42 L		1
8999701411	613	Screw 5 x 18 mm		2