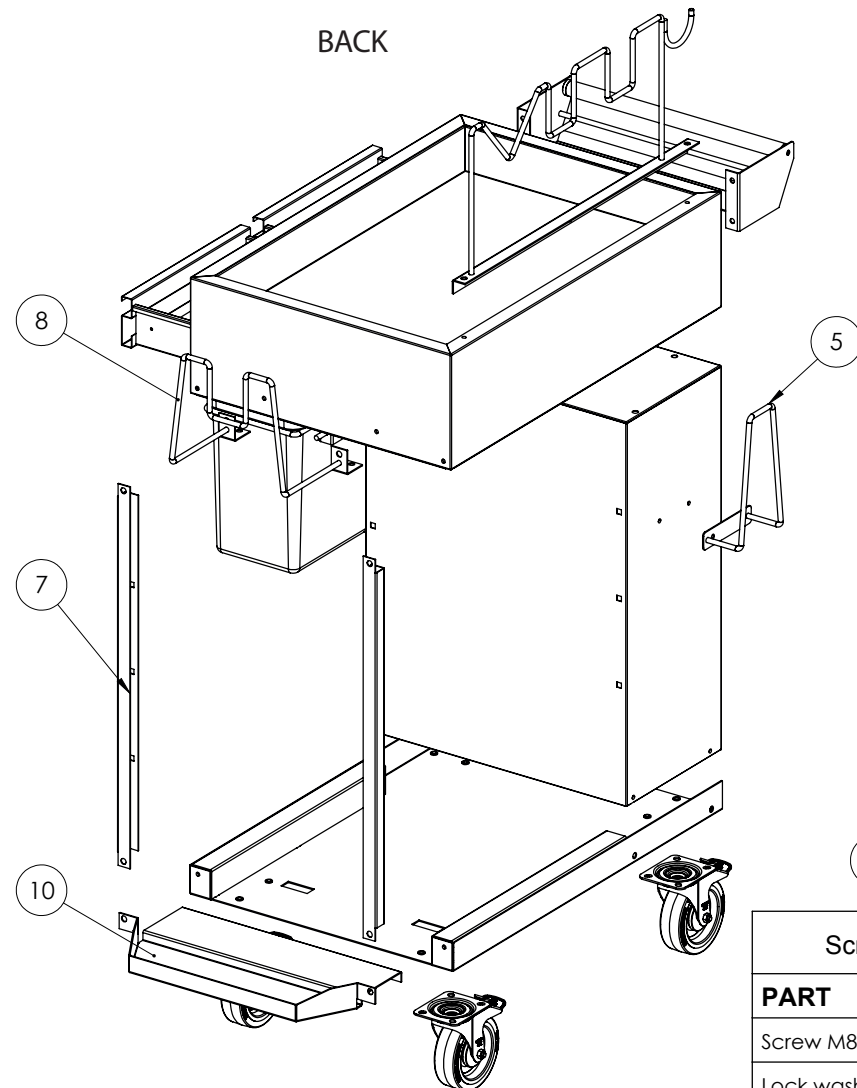
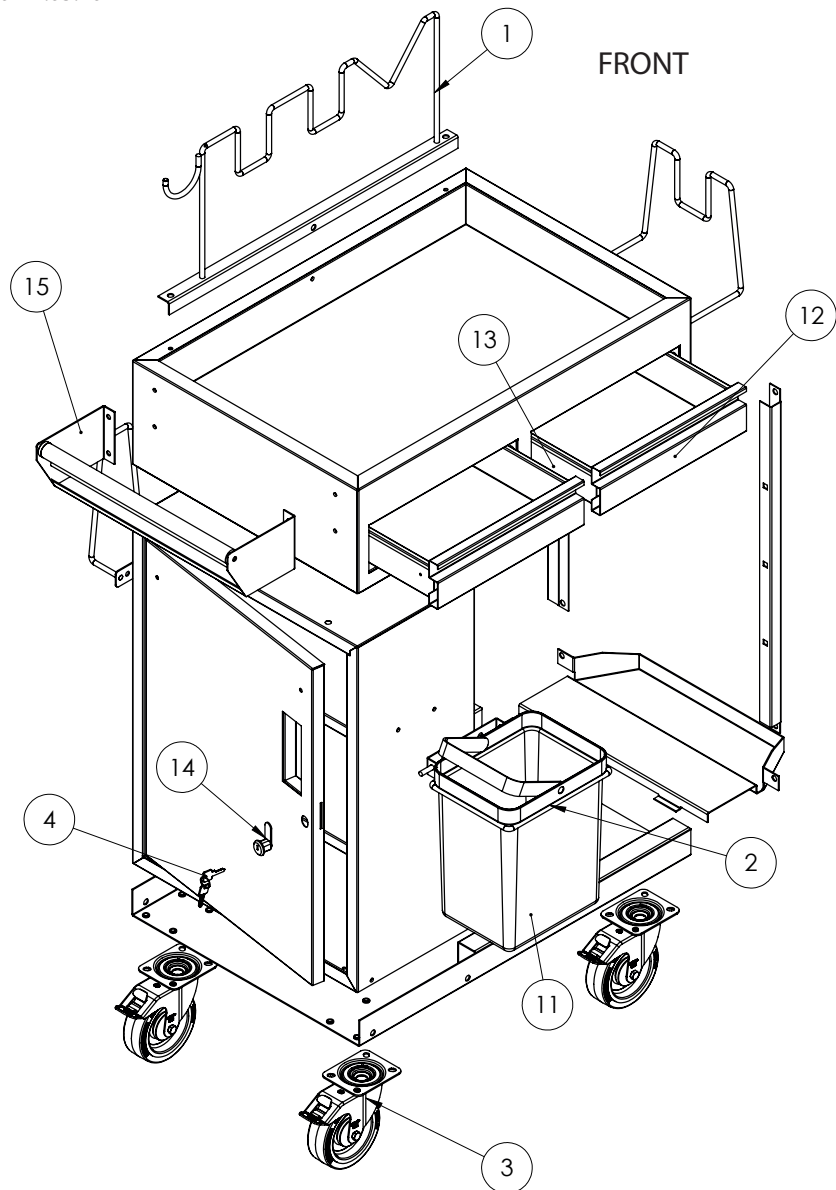




Exploded view of Solution Trolley

Updated 12.05.2022



| Screw kit | |
|---------------|------|
| PART | QTY. |
| Screw M8 x 20 | 43 |
| Lock washer | 43 |
| Screw tool | 1 |

Solution Trolley

| Mirka Code | Description |
|------------|------------------|
| 9190129001 | Solution Trolley |

Solution Trolley Spare Parts

| Mirka Code | Item | Description | Comment |
|------------|------|--------------------------------------|-------------------------|
| 9190191001 | 1 | Tool Rack Screw Distance 610 mm 3U1V | |
| 9190186001 | 2 | Waste Bin and Rack | |
| 9190110101 | 3 | Wheel 160 mm Grey | (Serial 0005 and older) |
| 9190199001 | 3 | Castor Wheel 125 mm Brake Grey | |
| 9190187001 | 4 | Locker Key, spare key only | |
| 9190192001 | 5 | Hose Rack Side | |
| 9190185001 | 7 | Supporting Leg Front | |
| 9190193001 | 8 | Power Tool/Hose Rack Back | |
| 9190188001 | 9 | Screw kit M8 x 20 mm (43 pcs/pack) | |
| 9190147011 | 10 | Extension | (Serial 0006 and newer) |
| 9190186000 | 11 | Waste Bin | |
| 9190140011 | 12 | Drawer | (Serial 0009 and newer) |
| 9190141011 | 13 | Sliding Rail 300mm (2 pcs/pack) | (Serial 0008 and older) |
| 9193010611 | 13 | Sliding Rail 350mm Soft (2 pcs/pack) | (Serial 0009 and newer) |
| 9190146011 | 14 | Lock insert | |
| 9190146111 | 14 | Lock Insert, Specific Key | |
| 9190166011 | 15 | Handle | |

Modifications

| Mark | Modification | Serial number | Date |
|----------------|--|---------------|------------|
| A | Hole Locations | 0002 | 28.11.2014 |
| | Different Screw Tool (Ball Head) | 0003 | 01.04.2015 |
| B | Sliding Rail Mountings | 0004 | 25.08.2015 |
| A ² | Hole Locations | 0005 | 01.10.2015 |
| | New Trolley Model | 0006 | 01.01.2017 |
| | New Wheels | 0007 | 01.02.2017 |
| C | Wider Tool Rack (same mounting) | 0008 | 13.04.2017 |
| D | Sliding Rail Mountings + Drawer (Longer) | 0009 | 31.08.2021 |

Serial number can be found under the drawer.