

Information for mitre tool

Practical advice for handling all Doellken skirtings

General Information

The universal mitre tool is a precision tool for the expert that should be correctly maintained, serviced and used. Please read these operating instructions before using the mitre tool for the first time to prevent faulty operation, incorrect handling or any damage. Please remember that your safety depends on using the mitre tool correctly.

Döllken Profiles shall not be liable for damage, improper usage, maintenance, storage, adjustment or repair of the mitre tool. The Döllken mitre tool has been designed for the processing of original Döllken skirting. If used with other skirting products (e.g. wood, metal or plastic skirtings), damage may result. We assume no liability in such cases!

All of the products are subject to careful quality control. However, should you have reasons for any complaints, hand the mitre tool over to your wholesaler/ Döllken co-worker along with a piece of stamped skirting (inside corner and outside corner)

Safety Instructions

The Döllken mitre tool is a precision tool which means that it may only be operated by an expert technician.

The Döllken mitre tool was developed for machining Döllken skirtings. That means that using it for anything else may cause damage. Therefore, please make sure that there are not any foreign bodies or stamping residues from the mitre tool.

Beyond this, the mitre tool may not be operated without a chucked skirting to prevent damage with the cutting edge.

In any event, please do not sharpen a dull cutting edge on your mitre tool yourself because it is necessary for the cutting geometry to be maintained precisely. Instead, send the entire mitre tool to Döllken

through your dealer to guarantee that the sharpened or new cutting edge and entire mitre tool are also adjusted.

Finally, the cutting edge should always move back into the highest position by itself after loosening the lever. Otherwise, the cutting edge should be oiled or the spring should be replaced.

It is generally advisable to avoid contact with the cutting edge. Never hold the device between clamp and pressing tool as there is a particularly high risk of suffering injury, particularly when clamping the skirting in place.

The pressing lever springs back by itself so that you should always keep the swinging zone of the lever free.

Please make sure that the mitre tool cannot get into unauthorised hands because of the danger of injury and damage, especially children or untrained persons.

Instructions for maintenance and servicing

The universal mitre tool is a precision tool for the expert that will do good work for many years to come if it is carefully serviced and maintained and properly used.

The placing surface, bearing stand, tension jack and carrying piece are responsible for correct alignment, proper hold and precision stamping. This is the reason why these parts have to be kept clean. Furthermore, do not let the cutting edge for the press run dry to avoid greater wear and tear. Instead, it should be reoiled on a regular basis with oil free of resin.

The precise cutting edge geometry is important for a clean cut. Therefore, replace any dull or damaged cutting edges with a sharpened (or new) cutting edge. Please do not regrind yourself.

We precisely adjust every specific chucking device for each mitre tool. Therefore, please do not adjust your threaded spindles between the tension jack and carrying piece because we will not accept any liability for damaged profiles or component parts if the mitre tool is improperly adjusted.

Please protect the mitre tool from any kind of damage to ensure that the pressing quality is maintained in the long run. Whenever it is not used, keep the chucking device closed.

If the mitre tool is transported or stored in the horizontal position, the safety bolts (the black round button) should point upwards if it is not in a mitre tool trunk.

Please send the entire mitre tool to Döllken through your dealer if the cut is not clean, does not have a precise angular cut or has dull cutting edges.

To clean your mitre tool, we recommend using a slightly oiled cloth (oil free of resin). Please use rust remover or penetrating oil/fine oil for cleansing if there are impurities from the glued strips on the TS 60/ TS 100.

If there are impurities with paints, please work carefully with solvents and make sure that the lacquered parts are not etching the mitre tool. Oil it afterwards.

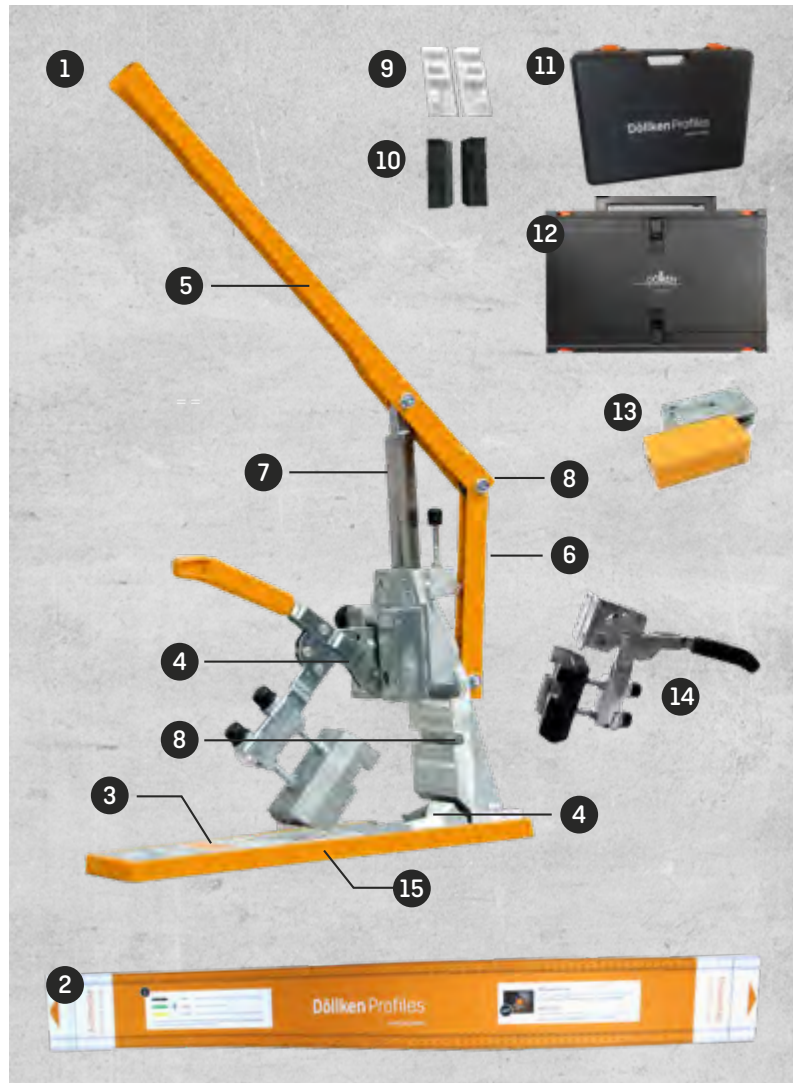
All installation videos can also be found at:

www.youtube.com/DoellkenProfilesGmbH



Spare parts and accessories

- ① Measuring template
Item No. 5112900
- ② Measuring template
Item No. 5116558
- ③ Base plate for the mitre tool
Item No. 5106890
- ④ Trestles
Item No. 5116140
- ⑤ ⑥ Handle with spring
Item No. 5106894
- ⑦ Spare blade
Item No. 5112706
- ⑧ Spare spring
Item No. 5106897
- ⑨ Press-on inserts D60/C60
Item No. 5105434
- ⑩ Press-on inserts for HSL
Item No. 5105432
- ⑪ Mitre tool case
Item No. 5903192
- ⑫ Systainer mitre tool case set
Artikelnr. 5901952
- ⑬ Strip cutter
Item No. 5120310
- ⑭ Clamping device XL
Item No. 5111423
- ⑮ Protective cover
Item No. 5116321



Tool case set: punching, cutting, gluing



Small tool case set

- ✓Mitre tool, ✓Protective cover,
- ✓Folding rule ✓Mitre tool case,
- ✓ Shoulder strap, ✓Special marker,
- ✓Skirting scissors, ✓Press-on inserts,
- ✓Trestles, ✓Measuring template,
- ✓Clamping device XL, ✓Oil bottle

Item No.: 5112465



**Big tool case set
with HKP 220**

- ✓small mitre tool case set
- + Hot glue gun **HKP 220**
- + 10 glue sticks(transparent)
- + New strip cutter (adjustable)

Item No.: 5112425



**Big tool case set
with HKP 2.0 E**

- ✓small mitre tool case set
- + Hot glue gun **HKP 2.0 E**
- + 10 glue sticks(transparent)
- + New strip cutter (adjustable)

Item-No.: 5120647

For all solidcore skirtings

C 60 life TOP
C 100 life
D 60 life TOP
S 60 flex life TOP
S 100 life
TS 60 life TOP
TS 100 life
HSL 6/8/10

5 mm Core
orange clamping
device necessary

Cubu flex life
Cubu flex life Premium
Cubu Stone & Style
Cubu Touch & Style
Cubu Decor
EP 60/13 flex life
S 66/22 flex life

11 mm Core
orange clamping
device necessary

Cubu Touch & Style XL
Cubu flex life XL
Hamburg Style 60/80/100 ...

16 mm Core
black clamping
device XL necessary

For detailed instructions regarding the handling of the mitre tool/ mounting of our products, please use our installation videos.

Available in the Döllken app or on the Internet at: www.doellken-profiles.com/en

Here's the direct link to the installation videos.





Scan with your smartphone now and watch all punching videos!

Clamping devices and trestles

Standard clamping device (orange)

In order to reconvert the clamping device, the mitre tool must be widely opened and the safety bolt (round black button) must be pulled horizontally. Then the clamping device can be removed and inserted into the second insertion slot. Then the safety bolt must be released again, allowing it to lock into place.

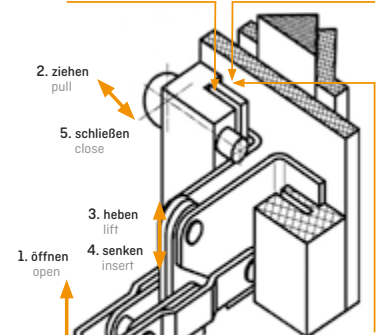
Please check the position of the toggle lever before every punching process!

Clamping device XL (black)

The clamping device XL is used for punching the XL core boards (16 mm thick core) and is replaced with the standard clamping device. The clamping device XL must always be used in the rear insertion slot.

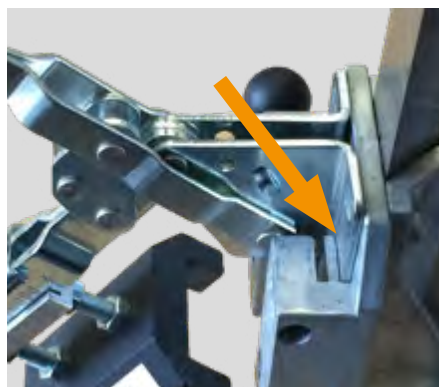


Cubu flex life, EP 60/80, S 60/100, C 60/100, S 66/22, Cubu Touch & Style, Cubu Stone & Style D 60, TS 60/100



Clamping device XL for Cubu XL, Cubu Touch & Style XL, Hamburg Style
clamping device XL for Cubu XL, Cubu Touch & Style XL, Hamburg Style

Insert the clamping device XL into the rear insertion slot of the double insertion plate, apply the skirting board as usual and carry out the punching process.



The trestles facilitate the application on the skirting board and, in this way, support a clean cut. Core skirting boards with a 5 mm core are punched without trestles

The trestles can be mounted in only a few steps. Just remove the clamping device and press the trestles into the counterparts mounted to the mitre tool. **IMPORTANT:** Insert the trestles into the support so that they are flush and press them on.



The trestles can be used on various core skirting for stabilization.

product	use of trestles
EP 60/13	✓
Cubu flex life	✓
Cubu flex life XL	✓
Cubu flex life Premium	✓
Cubu Stone & Style	✓
Cubu Touch & Style	✓
Hamburg Style	✓

Do you have questions regarding the product or do you need tips from our professionals? Please, contact us:

T: +49 3643/ 4170-711

F: +49 3643/ 4170-330

info@doellken-profiles.com

www.doellken-profiles.com

Follow us:



Watch the new installation videos online or in the app now!