

## Symbols used in this manual



### **WARNING!**

Denotes impending danger. Non-observance of this warning may result in death or extremely severe injuries.



### **CAUTION!**

Denotes a possibly dangerous situation. Non-observance of this warning may result in slight injury or damage to property.



### **NOTE**

Denotes application tips and important information.

## Symbols on the power tool



To reduce the risk of injury, read the operating instructions!



Wear goggles!



Wear ear protection!



Wear mask!



Class II tool



Disposal information for the old machine

## For your safety



### **WARNING!**

Before using the power tool, please read and follow:

- these operating instructions,
- the “General safety instructions” on the handling of power tools in the enclosed booklet (leaflet-no.: 315.915),
- the currently valid site rules and the regulations for the prevention of accidents.

*This power tool is state of the art and has been constructed in accordance with the acknowledged safety regulations.*

*Nevertheless, when in use, the power tool may*

*be a danger to life and limb of the user or a third party, or the power tool or other property may be damaged.*

*The sander may be used only*

- as intended,
- in perfect working order.

*Faults which impair safety must be repaired immediately.*

### **Intended use**

The sander is designed

- for commercial use in industry and trade,
- for sanding wood, plastic, paint, filler and similar materials using the dry sanding process,
- for use with Velcro sanding sheet and accessories which are indicated in these instructions or which are recommended by the manufacturer.

When metal is being ground, flying sparks occur. Ensure that nobody can be endangered by flying sparks.

### **Safety Warnings For Sander**



#### **WARNING!**

**Read all safety instructions and other instructions.** Failure to observe the safety instructions and other instructions may result in an electric shock, fire and/or serious injuries.

### **Keep all safety instructions and other instructions in a safe place for the future.**

- **Hold the power tool by insulated gripping surfaces, because the sanding surface may contact its own cord.** Cutting a “live” wire may make exposed metal parts of the power tool “live” and could give the operator an electric shock.
- **Attention Risk of fire! Avoid overheating the material to be ground and the grinder. Always empty the dust container before taking breaks from work.** Grinding dust in the dust sack, microfilter, paper sack (or in the filter sack or filter of the dust extractor) may self-ignite under unfavourable conditions, e.g. caused by flying sparks when grinding metals. It is particularly hazardous if the grinding dust is mixed with paint or polyurethane residue or other chemical substances and if the material is ground for a long time until hot.

- **Do not use the electric power tool if it has a damaged power cord. Do not touch the damaged power cord and pull out the mains plug if the power cord is damaged during work.** Damaged power cords increase the risk of an electric shock.
- **Use the electric power tool for dry sanding only.** If water penetrates the electric power tool, there is an increased risk of electric shock.
- **Dust released from materials, such as lead paints, some types of wood, minerals and metal, may be hazardous to the operator or people in the vicinity.** Inhaling or touching these dusts may result in respiratory diseases and/or allergic reactions.
  - Ensure the work place is well ventilated!
  - If possible, use external dust extraction.
  - It is recommended to wear a respirator mask belonging to filter class P2.
- **Secure the workpiece.** A workpiece is held more securely in a clamping device or vice than by hand.
- **Keep the workplace clean.** Material mixtures are especially dangerous. Light metal dust may burn or explode.
- Do not work on materials which release hazardous substances (e.g. asbestos).
- Never grind or cut light metals which have a magnesium content greater than 80%. Risk of fire!
- Before using the machine, check that the grinding tools have been installed and secured correctly. Switch on the power tool at no load for 30 seconds!
- Interrupt the test run immediately if violent vibrations occur or other damage is established. Check the machine to determine the cause.
- Before putting down the power tool, switch it off and wait until it comes to a standstill.
- Do not clamp the power tool in a vice.
- Always lay the power cord to the rear away from the electric power tool.

### Additional safety instructions

- Use only extension cables permitted for outdoor use.
- Identify the power tool with stickers only. Do not drill any holes into the housing.
- The mains voltage and the voltage specifications on the rating plate must correspond.

## Noise and vibration

The noise and vibration values have been determined in accordance with EN 62841. The evaluated noise level of the power tool is typically:

	Sound pressure level $L_{pA}$ [dB(A)]	Sound power level $L_{WA}$ [dB(A)]
ORE 2-125 EC	75	86
OSE 2-80 EC	77	88
ODE 2-100 EC	76	87
Uncertainty K=3dB		

Total vibration value:

	Emission value $a_n$ ( $m/s^2$ )
ORE 2-125 EC	3.5
OSE 2-80 EC	3.5
ODE 2-100 EC	3.5
Uncertainty K=1.5 $m/s^2$	



### WARNING!

*The indicated measurements refer to new power tools. Daily use causes the noise and vibration values to change.*



### NOTE

*The vibration emission level given in this information sheet has been measured in accordance with a standardised test given in EN 62841 and may be used to compare one tool with another.*

*It may be used for a preliminary assessment of exposure. The declared vibration emission level represents the main applications of the tool. However if the tool is used for different applications, with different accessories or poorly maintained, the vibration emission may differ. This may significantly increase the exposure level over the total working period. For a precise estimation of the vibration load the times should also be considered during which the power tool is switched off or even running, but not actually in use. This may significantly decrease the exposure level over the total working period.*

*Identify additional safety measures to protect the operator from the effects of vibration such as: maintain the tool and the accessories, keep the hands warm, organisation of work patterns.*



**CAUTION!**

*Wear ear protection at a sound pressure above 85 dB(A).*

**Technical specifications**

See figure B

**Overview (see figure A)**

The numbering of the product features refers to the illustration of the machine on the graphics page.

- 1 Insulated grip surfaces**
- 2 ON/OFF Switch**
- 3 Extraction nozzle**
- 4 Speed setting button**
- 5 Speed control panel**
- 6 Sanding plate**
- 7 Sanding sheet**
- 8 Microfilter box**
  - a) Housing
  - b) Filter insert with cover

**Operating instructions**



**NOTE**

*When the power tool is switched off, the tool continues running briefly.*

For further information on the manufacturer's products go to [www.flex-tools.com](http://www.flex-tools.com).



**WARNING!**

*Before performing any work on the electric power tool, pull out the mains plug.*

**Before switching on the power tool**

Pull out the mains plug and check that there are no missing or damaged parts.

**Attaching/changing the sanding sheet**

The sanding plate has Velcro fasteners and is therefore designed exclusively for use with Velcro sanding sheet (see figure C1&C2&C3).

- Pull out the mains plug.
- Remove used sanding sheet.
- Remove any coarse debris from the sanding plate.
- Attach new sanding sheet. Align the holes

in the sanding sheet with the holes in the sanding plate.

- Attach the sanding sheet by gently pressing it against the Velcro fasteners on the sanding plate.

**Changing the sanding plate**

If the sanding plate has worn out, it can be replaced (see figure D).

- Pull out the mains plug.
- Undo the four screws.
- Remove the sanding plate by pulling it downwards.
- Attach a new sanding plate.
- Tighten the four screws back.

**Integrated extractor with microfilter box**

- Push microfilter box all the way onto the extraction nozzle (see figure E).

To ensure optimum dust extraction, empty the microfilter box in good time! Regularly clean filter element.

- Pull microfilter box with a twisting movement off the extraction nozzle.
- Remove cover (bayonet lock) and pull out together with the filter element.
- Tap filter element on a solid surface.
- Clean fins with a soft brush.
- Empty housing of the microfilter box.
- Reattach microfilter box (see figure F).

**Setting the speed**

There are four speed levels that can be changed using the speed setting buttons. Press the "+" button to increase the speed. Press "-" button to decrease the speed. The LED lights above the numbers indicate the current speed level (see figure G).

The speed level can be set when the tool is connected to the power supply or when the tool is already in operation.

After you turn the tool off, the memory function will remember and revert to the last active speed level the next time the tool is turned on.

The approximate OPM (oscillations per minute) are:

Speed level	/min (OPM)
1	8000
2	9300
3	10600
4	12000

## Switching on and off

Switch power tool on or off by pressing on/off switch (see figure H).

### **CAUTION!**

*Following a power failure, the switched-on power tool will not start running again.*

## Operating instructions

### **WARNING!**

*Hold the electric power tool by the insulated grip surfaces only!*

### **CAUTION!**

*When the power tool is switched off, the grinding tool continues running briefly.*

- *Switch on the sander and place the whole sanding sheet on the surface to be processed.*
- *Applying moderate pressure, move the sander evenly over the workpiece.*
- *The sanding result is determined primarily by the selection of the correct sanding sheet, the selected number of oscillations and the contact pressure.*
- *Replace sanding sheets in good time.*
- *An excessive increase in the contact pressure will not increase the grinding performance, but will increase the wear on the electric power tool and the sanding tool.*

*For further information on the manufacturer's products go to [www.flex-tools.com](http://www.flex-tools.com).*

## Maintenance and care

### **WARNING!**

*Before performing any work on the electric power tool, pull out the mains plug.*

## Cleaning

- Clean the power tool and grille in front of the vent slots regularly. Frequency of cleaning is dependent on the material and duration of use.
- Regularly blow out the housing interior and motor with dry compressed air.

## Spare parts and accessories

For other accessories, in particular tools and sander accessories, can be found in the manufacturer's catalogues.

Exploded drawings and spare-part lists can be found on our homepage:

[www.flex-tools.com](http://www.flex-tools.com)

## Disposal information

### **WARNING!**

*Render redundant power tools unusable:*

- *mains operated power tool by removing the power cord,*



EU countries only

Do not throw electric power tools into the household waste! In accordance

with the European

Directive 2012/19/EU on Waste Electrical and Electronic Equipment and transposition into national law used electric power tools must be collected separately and recycled in an environmentally friendly manner.

### **Raw material recovery instead of waste disposal.**

Device, accessories and packaging should be recycled in an environmentally friendly manner. Plastic parts are identified for recycling according to material type.

### **NOTE**

*Please ask your dealer about disposal options!*

## CE-Declaration of Conformity

We declare under our sole responsibility that the product described under "Technical specifications" conforms to the following standards or normative documents:

EN 62841 in accordance with the regulations of the directives 2014/30/EU, 2006/42/EC, 2011/65/EU.

Responsible for technical documents:

FLEX-Elektrowerkzeuge GmbH, R & D  
Bahnhofstrasse 15, D-71711 Steinheim/Murr

Peter Lameli  
Technical Head

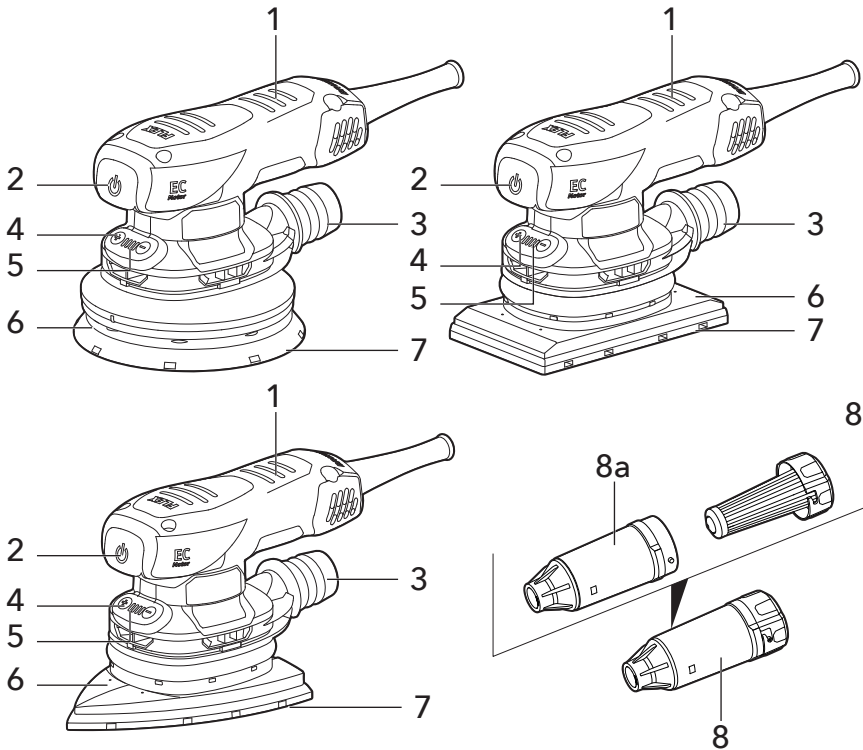
Klaus Peter Weinper  
Head of Quality  
Department (QD)

01.03.2021; FLEX-Elektrowerkzeuge GmbH  
Bahnhofstrasse 15, D-71711 Steinheim/Murr

## **Exemption from liability**

---

The manufacturer and his representative are not liable for any damage and lost profit due to interruption in business caused by the product or by an unusable product. The manufacturer and his representative are not liable for any damage which was caused by improper use of the power tool or by use of the power tool with products from other manufacturers.



<b>B</b>			
	ORE 2-125 EC	OSE 2-80 EC	ODE 2-100 EC
V	220-240	220-240	220-240
Hz	50	50	50
W	260	260	260
n/min	8000--12000	8000--12000	8000--12000
m/kg	1.5	1.4	1.5

